



**DTS 3061 (NEMA 3R\_4), DTS  
3081 (NEMA 4\_4X) COOLING  
UNITS 694–800 W**

# DTS 3061 (NEMA 3R/4) | DTS 3081 (NEMA 4/4X) COOLING UNITS 694–800 W

- compact design, ideal for small control cabinets and larger control cabinets for the cooling of hot spots
- suitable for the food and beverage industry and outdoor applications
- maintains a UL tested NEMA type 3R/4 seal against the enclosure
- high protection system IP 56, maintenance-free
- condenser with 3 mm fin spacing, highly effective protection against strongly contaminated ambient air
- fully coated heat-exchangers and tubing
- suitable for 400 mm and less enclosures



PRODUCT		DTS 3061 (NEMA 3R/4)		DTS 3081 (NEMA 4/4X)		UNIT
ARTICLE NO.	TC	13382341355	13382344355	13382341300	13382344300	
ARTICLE NO.	LAP <sup>1</sup>	13382341375	13382344375	13382341178	13382344178	

DATA						
Rated voltage ±10 %		AC 50   60	AC 60	AC 50   60	AC 60	Hz
		230	115	230	115	V
Cooling capacity according to EN 14511	A35/A35	694	800	694	800	W
	A35/A50	428	650	428	650	
Power consumption	A35/A35	663	690	663	690	A
Current consumption	A35/A35	4.1	5.2	4.1	5.2	
Starting current	A35/A35	10.4	28	10.4	28	
Unimpeded airflow (free flow)	internal	325		325		m³/h
	external	150		150		
Pre fuse T		5		5		A
Type of connection		Pluggable connection included with plug				
Noise level according to EN ISO 3741		< 64				dB (A)
Weight (without packaging)		25	23	25	25	kg
Ambient temperature	SC	- 4 ... + 55 / + 25 ... + 131				°C   °F
	LAP	- 40 ... + 55 / - 40 ... + 131				
Control range (adjustable)		+ 10 ... + 40   + 50 ... + 113; factory setting + 35   + 95				
Refrigerant	R134a	400				g
Duty cycle		100				%
Condensate management		integrated condensate evaporation system with safety overflow				
Protection system according to	NEMA type	3R/4	towards the electrical enclosure if used as intended by the manufacturer	-		
		4/4X	-	towards the electrical enclosure if used as intended by the manufacturer		
	EN60529	IP56	towards the surroundings if used as intended by the manufacturer			
Design	housing	galvanised sheet steel		galvanised sheet steel		
	cover	galvanised   electrostatically powder coated (200 °C)		stainless steel 304		
Colour		RAL 7035   different colours available on request			-	

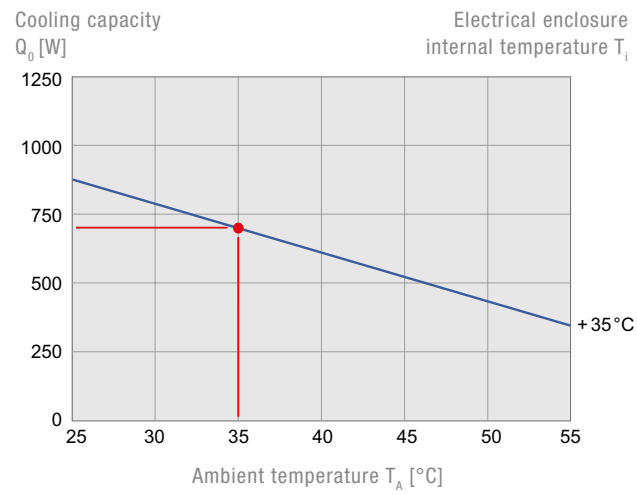
<sup>1</sup> LAP (Low Ambient Package): includes 900 W enclosure heater and a thermostat to be placed inside the enclosure. For additional information to ensure the accurate setting of the motor protection switch, please see technical specific data sheet. This information is included with the delivery of the unit or can be found at [www.pfannenber.com](http://www.pfannenber.com).

ACCESSORIES	Piece	ARTICLE NUMBER
Condensate bottle	1	18314000100
Alu filter	1	18881500005

For additional models, options and voltages visit [www.pfannenberg.com](http://www.pfannenberg.com) or contact us directly.



### Cooling capacity performance curves

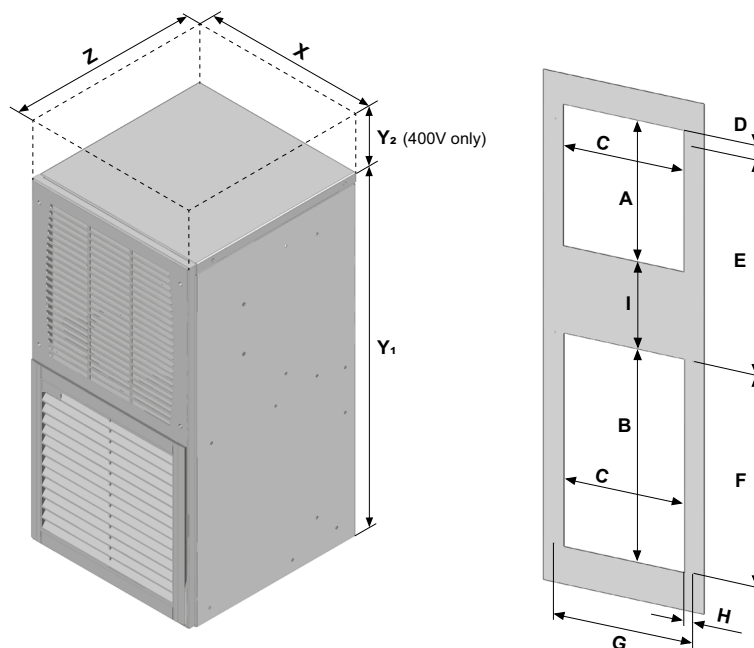


### Dimensions

	X	Y <sub>1</sub>	Y <sub>2</sub>	Z	A	B	C	D	E	F	G	H	I
mm	255.3	515.2	76.2	274	152.4	230.3	209.6	26.1	203.2	225.6	238.1	14.3	76.1

Mounting holes  $\varnothing$  8 mm

### DTS 3061 | DTS 3081





+44 (0)121 544 6808

| [info@cnet-is.co.uk](mailto:info@cnet-is.co.uk)

**C-NET Industrial Solutions  
Limited**

Suite 12, Sandwell Business Centre  
Oldbury Road  
Smethwick  
B66 1NN  
United Kingdom