



cnetindustrial

**DTS 3261 (NEMA 3R_4), DTS
3281 (NEMA 4_4X) COOLING
UNITS 1900–2000 W**

DTS 3261 (NEMA 3R/4) | DTS 3281 (NEMA 4/4X) COOLING UNITS 1900–2000 W

- compact design, ideal for small control cabinets and larger control cabinets for the cooling of hot spots
- suitable for the food and beverage industry and outdoor applications
- high protection system IP 56, maintenance-free
- maintains a UL tested NEMA type 3R/4 seal against the enclosure
- condenser with 3 mm fin spacing, highly effective protection against strongly contaminated ambient air
- integrated condensate evaporation system
- fully coated heat-exchangers and tubing
- suitable for 400 mm enclosures



PRODUCT		DTS 3261 (NEMA 3R/4)			DTS 3281 (NEMA 4/4X)			UNIT
ARTICLE NO.	SC	13385736355	13385741355	13385744355	13385736158	13385741158	13385744158	
ARTICLE NO.	LAP ¹	13385736375	13385741375	13385744375	13385736178	13385741178	13385744178	

DATA									
Rated voltage ±10 %		AC 50 60		AC 60	AC 50 60		AC 60	Hz	
		400 460 3~	230	115	400 460 3~	230	115	V	
Cooling capacity according to EN 14511	A35/A35	1900 2000	1900 2000	2000	1900 2000	1900 2000	2000	W	
	A35/A50	1758							
Power consumption	A35/A35	1400	1425	1680	1400	1425	1680	A	
Current consumption	A35/A35	2	6.2	7.2	2	6.2	7.2		
Starting current	A35/A35	16	21.8	53	16	21.8	53		
Unimpeded airflow (free flow)	internal	765						m³/h	
	external	765							
Pre fuse T		15	10	20	15	10	20	A	
Type of connection	Pluggable connection included with plug								
Noise level according to EN ISO 3741	< 73								dB (A)
Weight (without packaging)		56	63	60	60	67		kg	
Ambient temperature	SC	0 ... +55 + 32 ... + 131						°C °F	
	LAP	- 40 ... + 55 - 40 ... + 131							
Control range (adjustable)	+ 25 ... + 45 + 77 ... + 113; factory setting + 35 + 95								
Refrigerant	R134a	700						g	
Duty cycle	100								%
Condensate management	integrated condensate evaporation system with safety overflow								
Protection system according to NEMA type	3R/4	towards the electrical enclosure if used as intended by the manufacturer			-				
	4/4X	-			towards the electrical enclosure if used as intended by the manufacturer				
	1	towards the surroundings if used as intended by the manufacturer							
Design	housing	galvanised sheet steel			galvanised sheet steel				
	cover	galvanised electrostatically powder coated (200 °C)			stainless steel 304				
Colour	RAL 7035 different colours available on request								

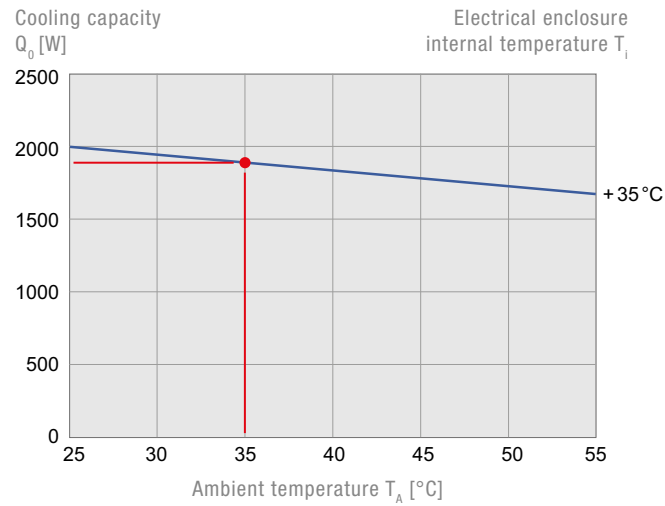
¹ LAP (Low Ambient Package): includes 900 W enclosure heater and a thermostat to be placed inside the enclosure. For additional information to ensure the accurate setting of the motor protection switch, please see technical specific data sheet. This information is included with the delivery of the unit or can be found at www.pfannenber.com.

ACCESSORIES	Piece	ARTICLE NUMBER
Condensate bottle	1	18314000100
Filter kit	1	18881500001

For additional models, options and voltages visit www.pfannenberg.com or contact us directly.



Cooling capacity performance curves

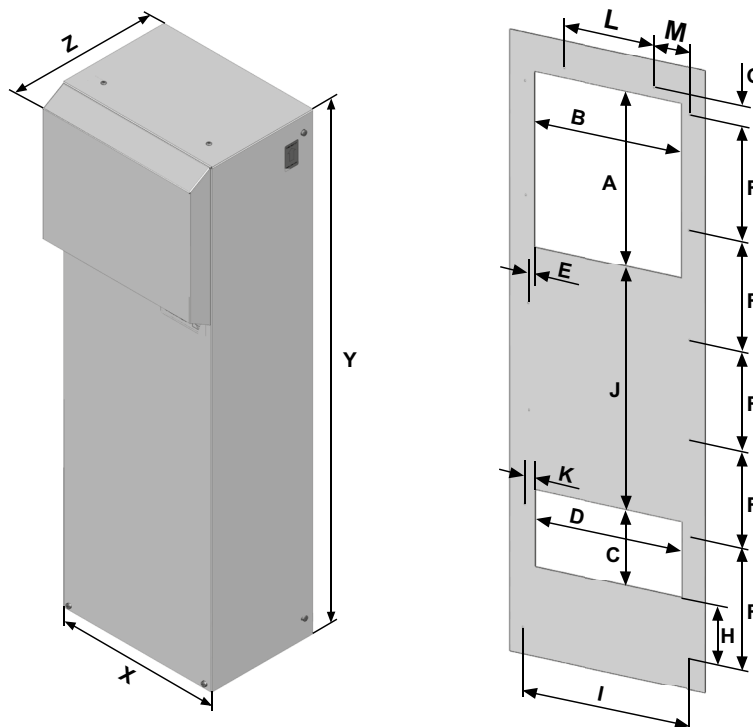


Dimensions

	X	Y	Z	A	B	C	D	E	F	G	H	I	J	K	L	M
mm	395	1209	269	350	330	100	292	15	228.6	38.1	162.3	360	545	34	200	80

Mounting holes \varnothing 8 mm

DTS 3261 | DTS 3281





+44 (0)121 544 6808

| info@cnet-is.co.uk

**C-NET Industrial Solutions
Limited**

Suite 12, Sandwell Business Centre
Oldbury Road
Smethwick
B66 1NN
United Kingdom