



DTS 9011H COOLING UNIT 300 W

DTS 9011H

COOLING UNIT 300 W

- service-friendly, compact design
- small mounting area, ideal for small electrical enclosures and larger electrical enclosures for the cooling of hot spots
- simple and fast mounting with brackets for door or side mounting
- powerful radial fans ensure optimum air circulation inside the enclosure
- integrated collective fault and door contact (potential-free)
- 100% reliability with controllers by Pfannenberg



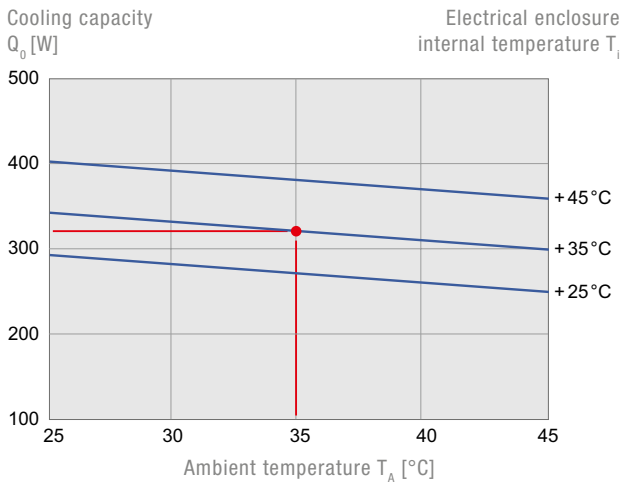
PRODUCT		DTS 9011H		Unit
ARTICLE NO.	SC	13242541055		Unit
DATA				
Rated voltage ±10 %		AC 50 60		Hz
		230		V
Cooling capacity according to EN 14511	A35/A35	300		W
	A35/A45	180		
Power consumption	A35/A35	275 290		A
Current consumption	A35/A35	1.52 1.56		
Starting current	A35/A35	4.52 4.66		
Unimpeded airflow (free flow)	internal	160		m³/h
	external	160		
Pre fuse T		16		A
Type of connection		spring-type terminal included with plug		
Noise level according to EN ISO 3741		< 65		dB (A)
Weight (without packaging)		15		kg
Ambient temperature		+15 ... +45 + 59 ... + 113		°C °F
Control range (adjustable)		+ 25 ... + 45 + 77 ... + 113; factory setting + 35 + 95		
Refrigerant	R134a	130		g
Duty cycle		100		%
Condensate management		condensate drain		
Protection system according to EN 60529	IP 54	towards the electrical enclosure if used as intended by the manufacturer		
	IP 34	towards the surroundings if used as intended by the manufacturer		
Design	housing	galvanised sheet steel		
	cover	galvanised electrostatically powder coated (200 °C) stainless steel on request		
Colour		RAL 7035 different colours available on request		

ACCESSORIES	Piece	ARTICLE NUMBER
External condensate evaporation system	1	1831400001
Condensate bottle	1	18314000100

For additional models, options and voltages visit www.pfannenberg.com or contact us directly.

For additional information to ensure the accurate setting of the motor protection switch, please see technical specific data sheet. This information is included with the delivery of the unit or can be found at www.pfannenberg.com.

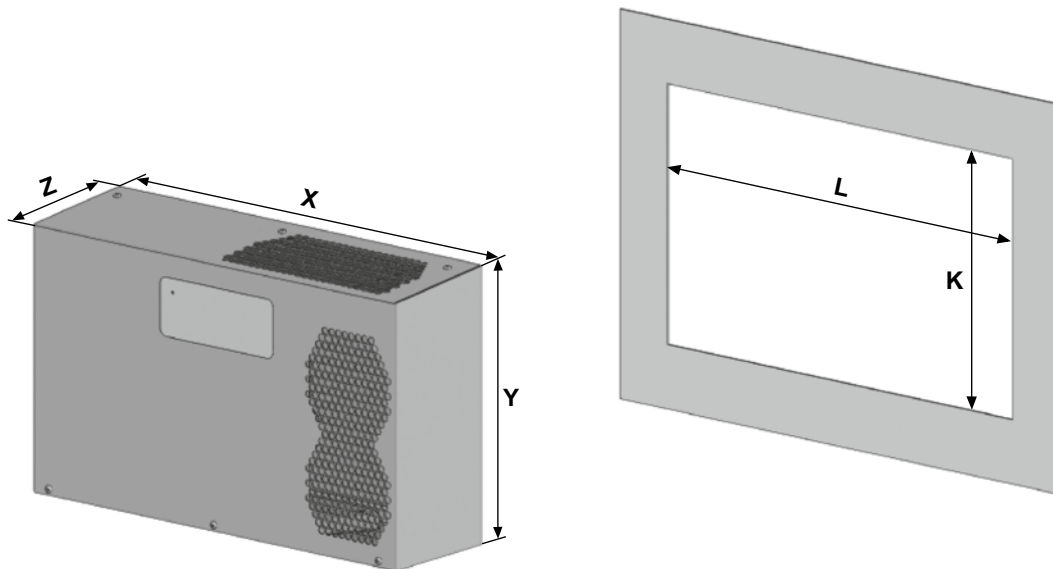
Cooling capacity performance curves



Dimensions

	X	Y	Z	K	L
mm	495	300	140	281	471

DTS 9011H





+44 (0)121 544 6808

| info@cnet-is.co.uk

**C-NET Industrial Solutions
Limited**

Suite 12, Sandwell Business Centre
Oldbury Road
Smethwick
B66 1NN
United Kingdom