



PF 32.000 EMC PFA 30.000 EMC
εCOOL FILTERFAN EXHAUST
FILTER 100–125 m³ _h

PF 32.000 EMC | PFA 30.000 EMC

ECOOL FILTERFAN | EXHAUST FILTER 100–125 m³/h

- installation size 3, air flow rate up to 125 m³/h
- secure contact due to improved contact springs on the screen grid
- system of protection IP 54 and IP 55, NEMA type 12
- UL, cUL approval
- UV-resistance (IP 55 version)



PRODUCT		PF 32.000 EMC					Unit
ARTICLE NO.	IP 54	11832101055	11832151055	11832851055	11832801055	11832701055	
ARTICLE NO.	IP 55	11832103055	11832153055	11832853055	11832803055	11832703055	

DATA		AC 50 60 Hz		DC			
Rated voltage ±10 %		230	115	12	24	48	V
Unimpeded airflow	IP 54	110 125				m ³ /h	
	IP 55	100 110					
Airflow rate in comb. with exhaust filter	IP 54	82 93					
	IP 55	55 64					
Power consumption		19 18	20 20	5		W	
Current consumption		0.12 0.18	0.24 0.23	0.42	0.21	0.1	A
Noise level according to EN ISO 3741		40 40		40		dB (A)	
Weight		0.96		0.7		kg	
Type of connection		terminal strip		cable, 2-core, length 310 mm			
Fuse		6				A	
System of protection according to EN 60529 / UL 50	IP 54	NEMA type 12 - standard filter					
	IP 55	NEMA type 12 - fluted filter					
Filtration efficiency according to EN 779	IP 54	> 90				%	
	IP 55	> 90				%	
Filter mat quality class according to EN 779	IP 54	G 4					
	IP 55	G 4					
Duty cycle		100				%	
Bearing type		sleeve bearing		ball bearing			
Service life L ₁₀ (+ 40 °C) ¹		37500	40000	62500		h	
Temperature range		-40 ... +55 -40 ... +131				°C °F	
Design (housing and protection against accidental contact)	IP 54	made of injection-moulded thermoplastic, self-extinguishing, UL 94 V0					
	IP 55	additional: UV-resistant					
EMC screen		stainless steel					
Colour		RAL 7035 different colours available on request					

ACCESSORIES		ARTICLE NUMBER
Exhaust filter		11930001055
Spare filter mats	5 pieces	18611600031
Thermostat		17121000000
Hygrostat		17207000000
Rainhood in stainless steel		18102000017

For additional models, options and voltages visit www.pfannenber.com or contact us directly.

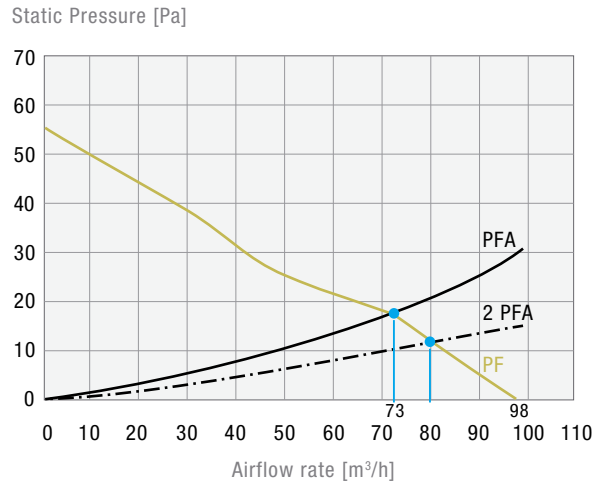
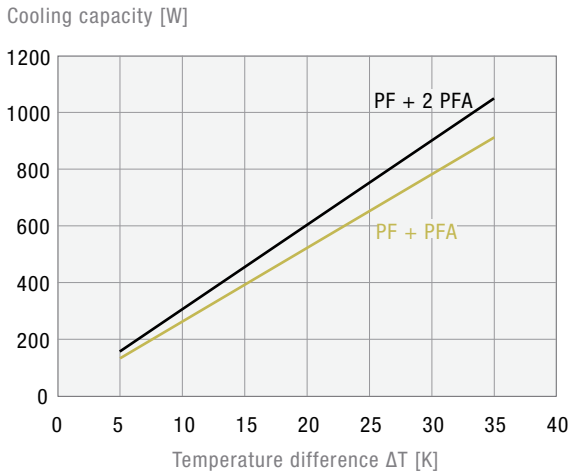
¹ fan failure is defined as being when the current and speed deviate or the operating noises are out of the ordinary



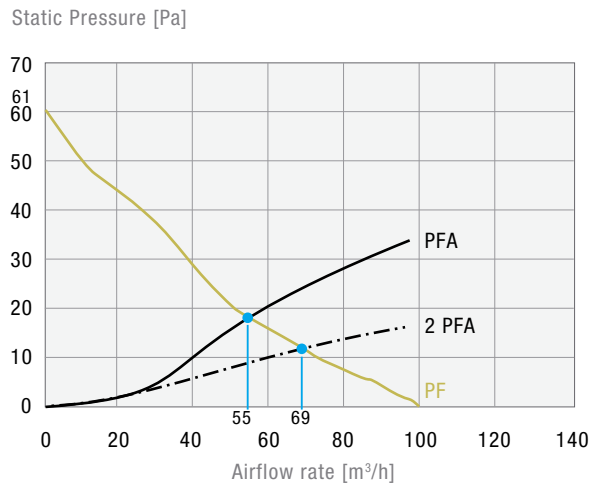
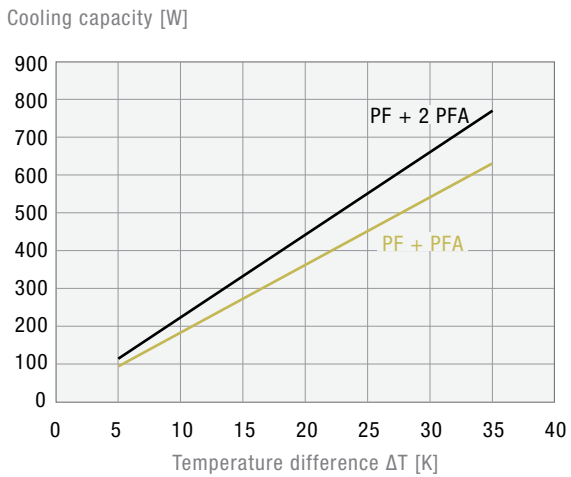
Cooling capacity performance curves

Static pressure performance curve

PF 32.000 EMC IP 54

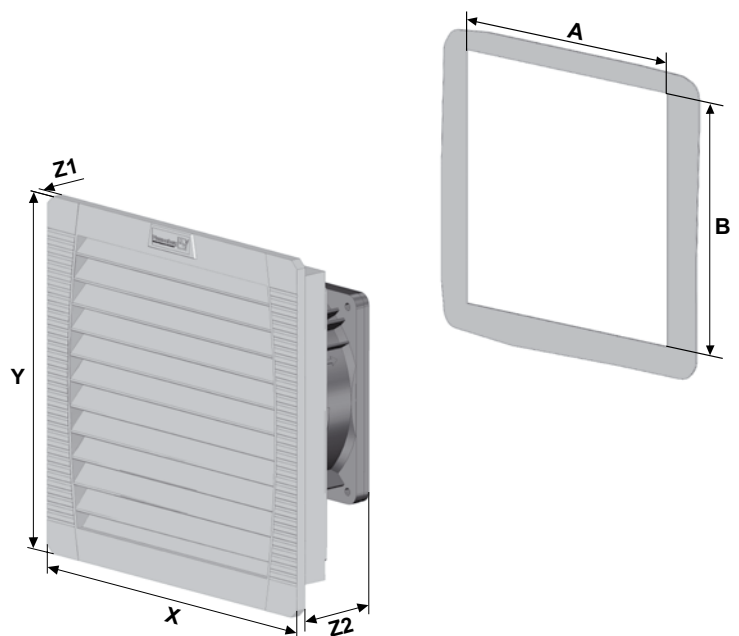


PF 32.000 EMC IP 55



Dimensions

mm	PF 32.000 EMC		PFA 30.000 EMC
	AC	DC	
X	202	202	202
Y	202	202	202
Z1	6	6	6
Z2	87	81	34
A	178	178	178
B	178	178	178





+44 (0)121 544 6808

| info@cnet-is.co.uk

**C-NET Industrial Solutions
Limited**

Suite 12, Sandwell Business Centre
Oldbury Road
Smethwick
B66 1NN
United Kingdom