



**PF 32.000 EMC, PFA 30.000
EMC ECOOL FILTERFAN
EXHAUST FILTER 100–125 m³ _h**

PF 32.000 EMC | PFA 30.000 EMC ECOOL FILTERFAN | EXHAUST FILTER 100–125 m³/h

- installation size 3, air flow rate up to 125 m³/h
- secure contact due to improved contact springs on the screen grid
- system of protection IP 54 and IP 55, NEMA type 12
- UL, cUL approval
- UV-resistance (IP 55 version)



PRODUCT		PF 32.000 EMC					
ARTICLE NO.	IP 54	11832101055	11832151055	11832851055	11832801055	11832701055	Unit
ARTICLE NO.	IP 55	11832103055	11832153055	11832853055	11832803055	11832703055	

DATA								
Rated voltage ±10 %		AC 50 60 Hz		DC			V	
		230	115	12	24	48		
Unimpeded airflow	IP 54	110 125					m³/h	
	IP 55	100 110						
Airflow rate in comb. with exhaust filter	IP 54	82 93						
	IP 55	55 64						
Power consumption		19 18	20 20	5			W	
Current consumption		0.12 0.18	0.24 0.23	0.42	0.21	0.1	A	
Noise level according to EN ISO 3741		40 40			40		dB (A)	
Weight		0.96			0.7			kg
Type of connection		terminal strip		cable, 2-core, length 310 mm				
Fuse		6					A	
System of protection according to EN 60529 / UL 50	IP 54	NEMA type 12 - standard filter						
	IP 55	NEMA type 12 - fluted filter						
Filtration efficiency according to EN 779	IP 54	> 90					%	
	IP 55	> 90					%	
Filter mat quality class according to EN 779	IP 54	G 4						
	IP 55	G 4						
Duty cycle		100					%	
Bearing type		sleeve bearing			ball bearing			
Service life L ₁₀ (+ 40 °C) ¹		37500	40000	62500			h	
Temperature range		-40 ... +55 -40 ... +131					°C °F	
Design (housing and protection against accidental contact)	IP 54	made of injection-moulded thermoplastic, self-extinguishing, UL 94 V0						
	IP 55	additional: UV-resistant						
EMC screen		stainless steel						
Colour		RAL 7035 different colours available on request						

ACCESSORIES		ARTICLE NUMBER
Exhaust filter		11930001055
Spare filter mats	5 pieces	18611600031
Thermostat		17121000000
Hygrostat		17207000000
Rainhood in stainless steel		18102000017

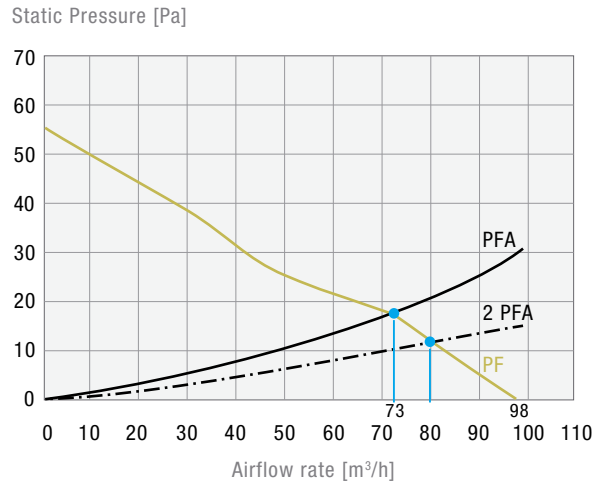
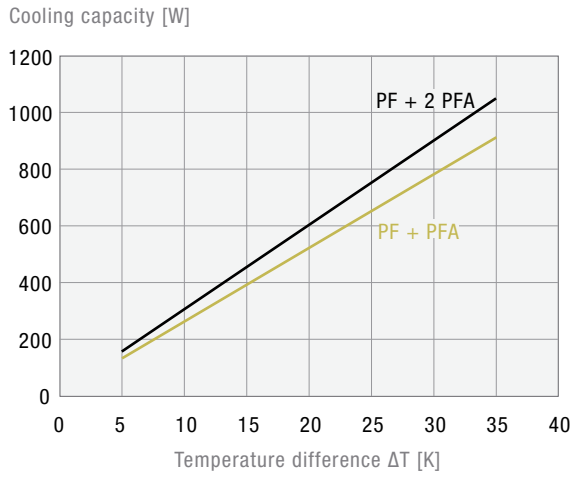
For additional models, options and voltages visit www.pfannenber.com or contact us directly.

¹ fan failure is defined as being when the current and speed deviate or the operating noises are out of the ordinary

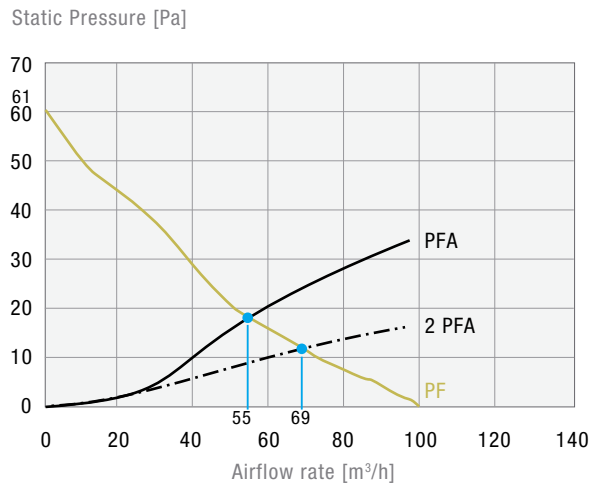
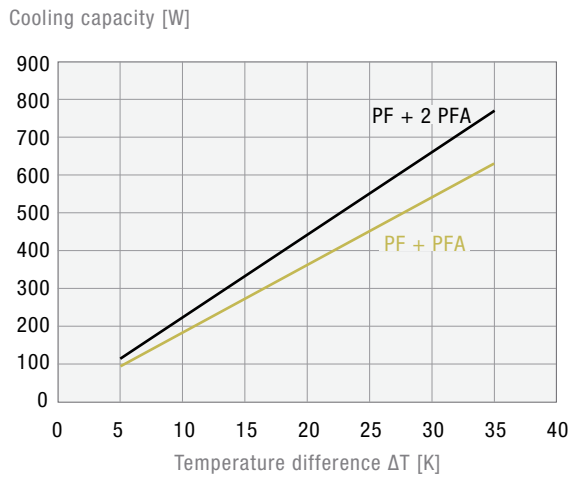
Cooling capacity performance curves

Static pressure performance curve

PF 32.000 EMC IP 54

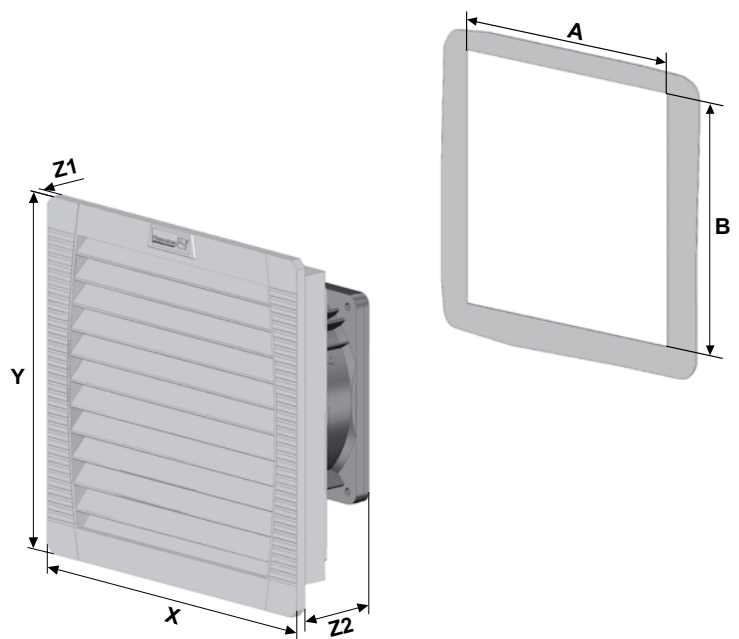


PF 32.000 EMC IP 55



Dimensions

mm	PF 32.000 EMC		PFA 30.000 EMC
	AC	DC	
X	202	202	202
Y	202	202	202
Z1	6	6	6
Z2	87	81	34
A	178	178	178
B	178	178	178





+44 (0)121 544 6808

| info@cnet-is.co.uk

**C-NET Industrial Solutions
Limited**

Suite 12, Sandwell Business Centre
Oldbury Road
Smethwick
B66 1NN
United Kingdom