



cnetindustrial

**PF 67.000 EMC, PFA 60.000 EMC
εCOOL FILTERFAN, EXHAUST
FILTER 845–950 m³ _h**

PF 67.000 EMC | PFA 60.000 EMC

ECOOL FILTERFAN | EXHAUST FILTER 845–950 m³/h



- installation size 6, air flow rate up to 950 m³/h
- three performance classes, cut-out compatible
- secure contact due to improved contact springs on the screen grid
- system of protection IP 54 and IP 55, NEMA type 12
- UL, cUL approval
- UV-resistance (IP 55 version)
- cut-out compatible to installation size 6 of the 3rd and 4th Generation

PRODUCT		PF 67.000 EMC			
ARTICLE NO.	IP 54	11867022055	11867102055	11867152055	Unit
ARTICLE NO.	IP 55	11867023055	11867103055	11867153055	

DATA					
Rated voltage ±10 %		AC 50 60 Hz			
		400 3~ 460 3~	230	115	V
Unimpeded airflow	IP 54	845 875			m ³ /h
	IP 55	925 950			
Airflow rate in comb. with exhaust filter	IP 54	560 625			
	IP 55	570 625			
Power consumption		140 170	140 197	140 195	W
Current consumption		0.35 0.43	0.62 0.86	1.23 1.71	A
Noise level according to EN ISO 3741		66 69			dB (A)
Weight		3.93			kg
Type of connection		spring-type terminal			
Fuse		6			A
System of protection according to EN 60529 / UL 50	IP 54	NEMA type 12 - standard filter			
	IP 55	NEMA type 12 - fluted filter			
Filtration efficiency according to EN 779	IP 54	80 - 90			%
	IP 55	>90			%
Filter mat quality class according to EN 779	IP 54	G 3			
	IP 55	G 4			
Duty cycle		100			%
Bearing type		ball bearing			
Service life L ₁₀ (+ 40 °C) ¹		40000			h
Temperature range		-40 ... +55 -40 ... +131			°C °F
Design (housing and protection against accidental contact)	IP 54	made of injection-moulded thermoplastic, self-extinguishing, UL 94 V0			
	IP 55	additional: UV-resistant			
EMC screen		stainless steel			
Colour		RAL 7035 different colours available on request			

ACCESSORIES		ARTICLE NUMBER
Exhaust filter		11960002055
Spare filter mats	5 pieces	18611600033
Thermostat		17121000000
Hygrostat		17207000000
Rainhood in stainless steel		18102000020

For additional models, options and voltages visit www.pfannenber.com or contact us directly.

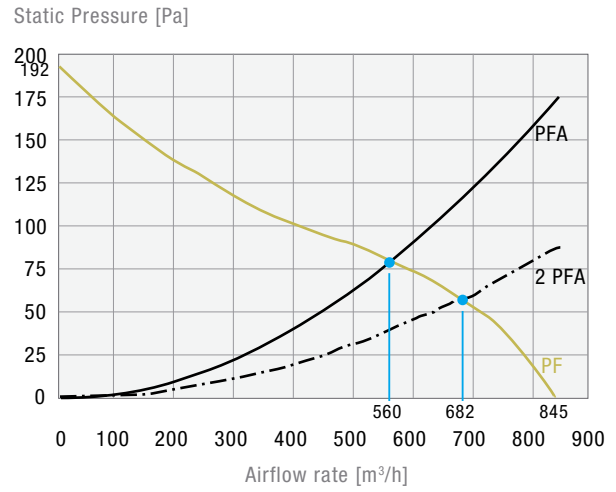
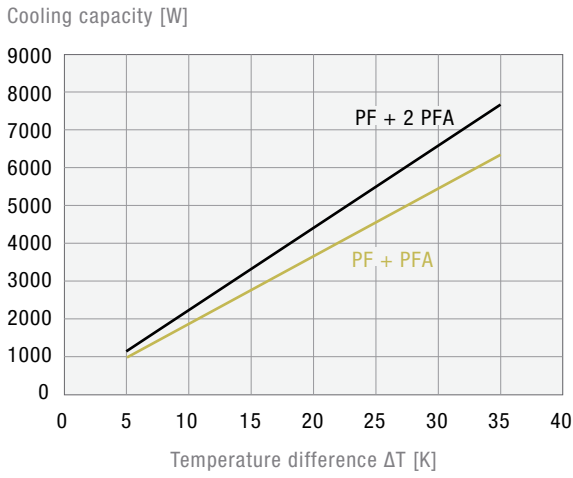
¹ fan failure is defined as being when the current and speed deviate or the operating noises are out of the ordinary



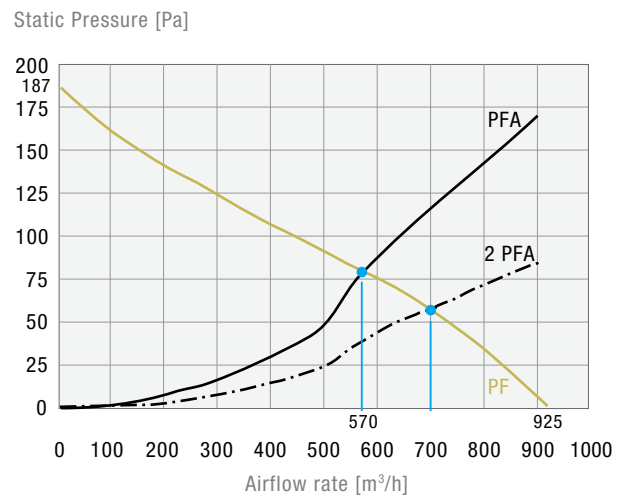
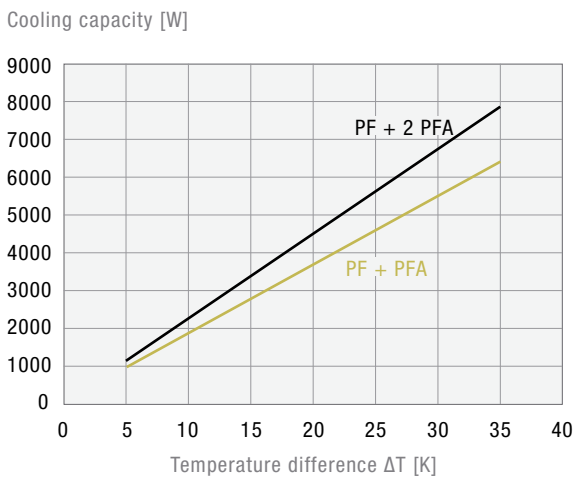
Cooling capacity performance curves

Static pressure performance curve

PF 67.000 EMC IP 54

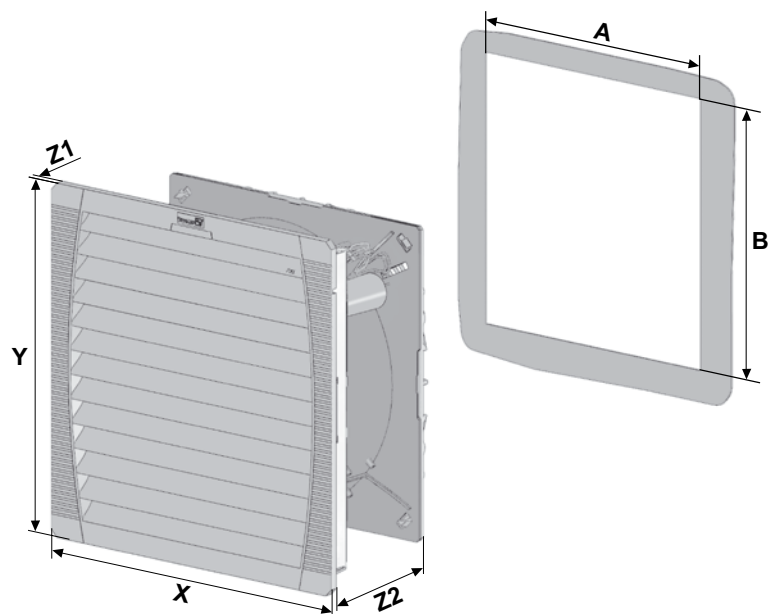


PF 67.000 EMC IP 55



Dimensions

mm	PF 67.000 EMC	PFA 60.000 EMC
X	320	320
Y	320	320
Z1	7	7
Z2	150	39
A	292	292
B	292	292





+44 (0)121 544 6808

| info@cnet-is.co.uk

**C-NET Industrial Solutions
Limited**

Suite 12, Sandwell Business Centre
Oldbury Road
Smethwick
B66 1NN
United Kingdom