



cnetindustrial

**PWI_PWS 6102 εCOOL
AIR_WATER HEAT
EXCHANGER 1000 W**

Pfannenber
ELECTRO-TECHNOLOGY FOR INDUSTRY



PWI/PWS 6102

ECOOL AIR/WATER HEAT EXCHANGER 1000 W

PWI: for partially recessed mounting in the door or side

PWS: for outer mounting on the door or side

- offers the highest degree of safety and energy efficiency
- cut-out compatible with ECOOL system e.g. for air/air heat exchanger and cooling units
- easy mounting with click and fit system for partially sunk-in version PWI
- maintenance-free
- integrated thermostat and solenoid valve for temperature control
- integrated temperature monitoring with alarm contact



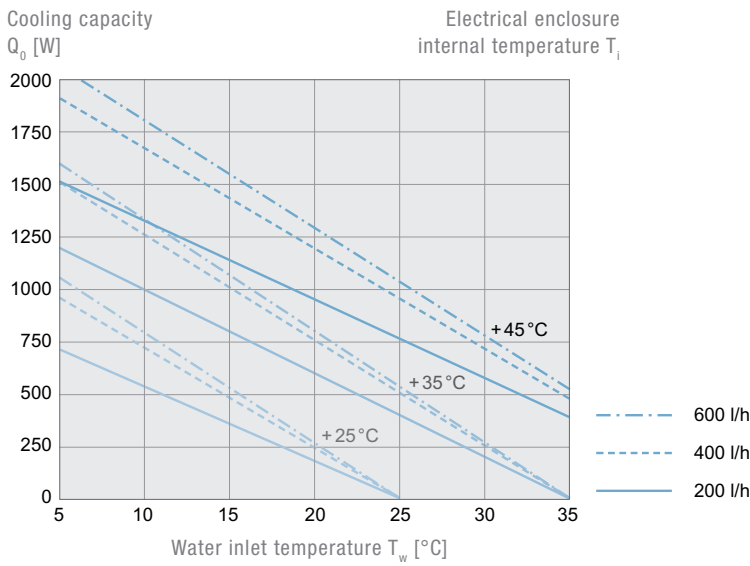
PRODUCT		PWI 6102		PWS 6102		
ARTICLE NO.		12891401055	12891404055	12881401055	12881404055	Unit
DATA						
Rated voltage ±10 %		AC 50 60 230	AC 60 115	AC 50 60 230	AC 60 115	Hz V
Cooling capacity @ 200 l/h	W10/A35	1000				W
Power consumption	W10/A35	68 78	70	68 78	70	A
Current consumption	W10/A35	0.3 0.34	0.6	0.3 0.34	0.6	
Starting current	W10/A35	0.4	0.7	0.4	0.7	
Unimpeded airflow (free flow)	internal	520				m³/h
Pre fuse T		2				A
Type of connection	electro	spring-type terminal included with plug				
	fluid	13 mm hose nozzle other connectors on request				
Noise level according to EN ISO 3741		≤ 48				dB (A)
Weight (without packaging)		10.5		11		kg
Ambient temperature range		> +1 ... +70 > +34 ... +158				°C °F
Control range (adjustable)		+8 ... +50 +47 ... +122; factory setting +35 +95				
Water inlet temperature		> +2 ... +35 > +34 ... +95				
Permissible operating pressure		max. 10				bar
Duty cycle		100				%
Condensate management		condensate drain				
Protection system according to EN 60529	IP 55	towards the electrical enclosure if used as intended by the manufacturer				
Design	housing	galvanised steel electrostatically powder coated (200 °C) stainless steel on request				
	heat exchanger	copper pipe with aluminium fins stainless steel piping on request				
Colour	cover	RAL 7035 different colours available on request				

ACCESSORIES	Piece	ARTICLE NUMBER
External condensate evaporation system	1	18314000001
Condensate bottle	1	18314000100

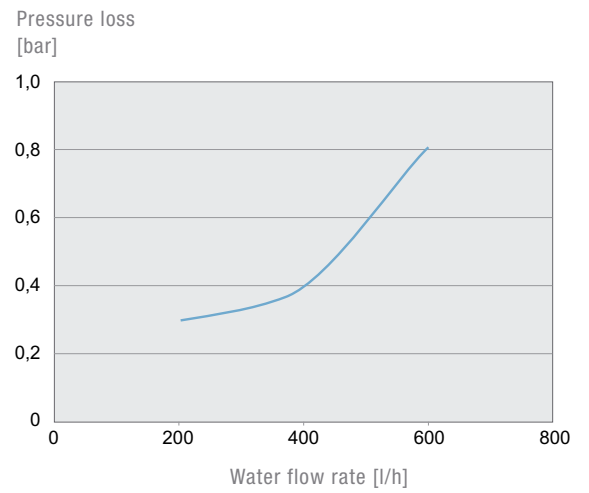
For additional models, options and voltages visit www.pfannenber.com or contact us directly.



Cooling capacity performance curves



Pressure loss performance curve



Dimensions

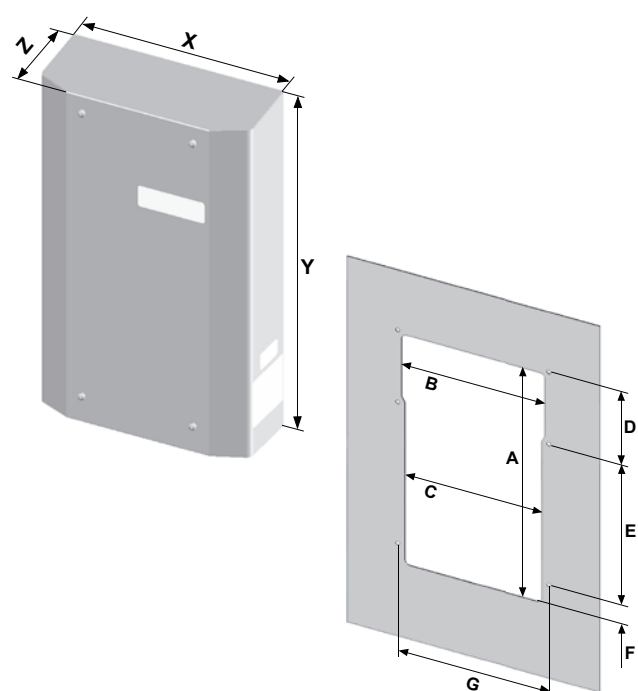
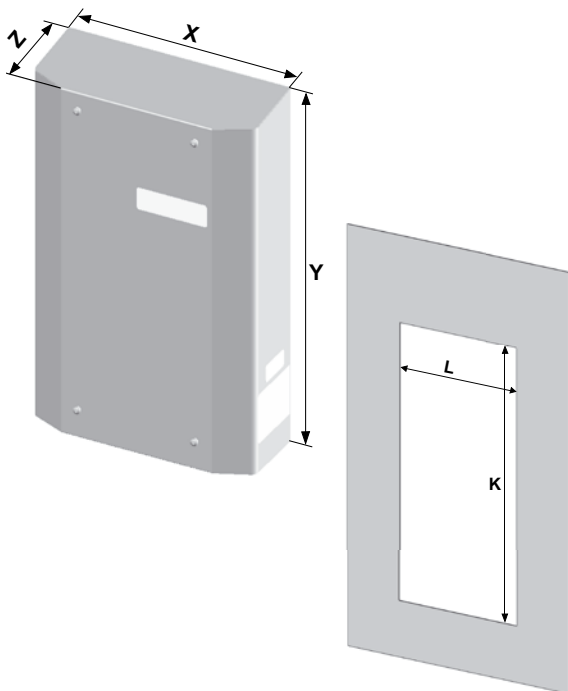
PWI	X	Y	Z1	Z2	K	L
mm	380	615	82	60	577	350

PWI variants partially recessed by 60 mm after installation

PWS	X	Y	Z	A	B	C	D	E	F	G
mm	380	622.5	142	472	285	272	150	288	40	300

Mounting holes \varnothing 8 mm and cut-out radii R20

PWI 6102	PWS 6102
----------	----------





+44 (0)121 544 6808

| info@cnet-is.co.uk

**C-NET Industrial Solutions
Limited**

Suite 12, Sandwell Business Centre
Oldbury Road
Smethwick
B66 1NN
United Kingdom