



cnetindustrial

**PWI_PWS 6302 εCOOL
AIR_WATER HEAT
EXCHANGER 3000 W**

Pfannenberg
ELECTRO-TECHNOLOGY FOR INDUSTRY



PWI/PWS 6302

ECOOL AIR/WATER HEAT EXCHANGER 3000 W

PWI: for partially recessed mounting in the door or side

PWS: for outer mounting on the door or side

- offers the highest degree of safety and energy efficiency
- cut-out compatible with ECOOL system e.g. for air/air heat exchanger and cooling units
- easy mounting with click and fit system for partially sunk-in version PWI
- maintenance-free
- integrated thermostat and solenoid valve for temperature control
- integrated temperature monitoring with alarm contact



PRODUCT	PWI 6302			PWS 6302			
ARTICLE NO.	12893309055	12893301055	12893304055	12883309055	12883301055	12883304055	Unit

DATA

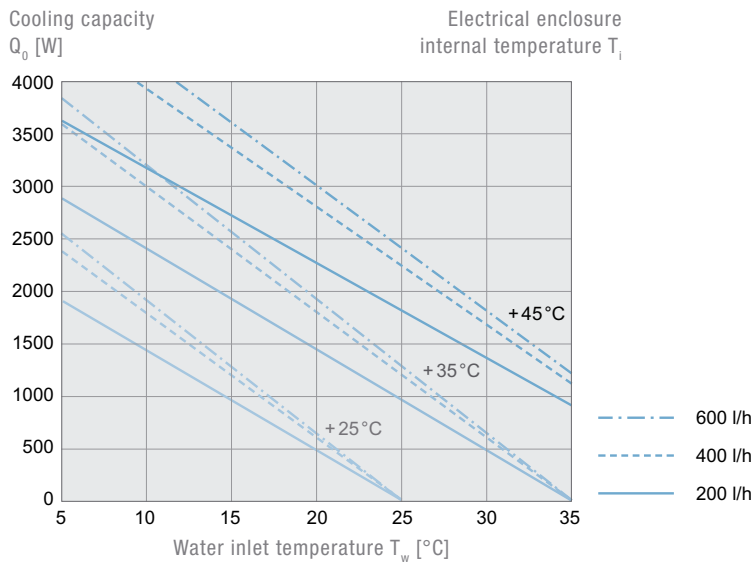
Rated voltage ±10 %		AC 50 60		AC 60	AC 50 60		AC 60	Hz
		400	230	115	400	230	115	V
Cooling capacity @ 400 l/h	W10/A35	3000						W
Power consumption	W10/A35	53 75	152 170	91	53 75	152 170	91	A
Current consumption	W10/A35	0.4 0.4	0.58 0.6	0.79	0.4 0.4	0.58 0.6	0.79	
Starting current	W10/A35	0.5 0.6		0.97	0.5 0.6		0.97	m³/h
Unimpeded airflow (free flow)	internal	885		850	885		850	
Pre fuse T		2						A
Type of connection	electro	spring-type terminal included with plug						
	fluid	13 mm hose nozzle other connectors on request						
Noise level according to EN ISO 3741		54						dB (A)
Weight (without packaging)		29.5	24.5	24.5	28	25.5	25	kg
Ambient temperature range		> +1 ... +70 > +34 ... +158						°C °F
Control range (adjustable)		+8 ... +50 +47 ... +122; factory setting +35 +95						
Water inlet temperature		> +1 ... +35 > +34 ... +95						bar
Permissible operating pressure		max. 10						
Duty cycle		100						%
Condensate management		condensate drain						
Protection system according to EN 60529	IP 55	towards the electrical enclosure if used as intended by the manufacturer						
Design	housing	galvanised steel electrostatically powder coated (200 °C) stainless steel on request						
	heat exchanger	copper pipe with aluminium fins stainless steel piping on request						
Colour	cover	RAL 7035 different colours available on request						

ACCESSORIES	Piece	ARTICLE NUMBER
External condensate evaporation system	1	18314000001
Condensate bottle	1	18314000100

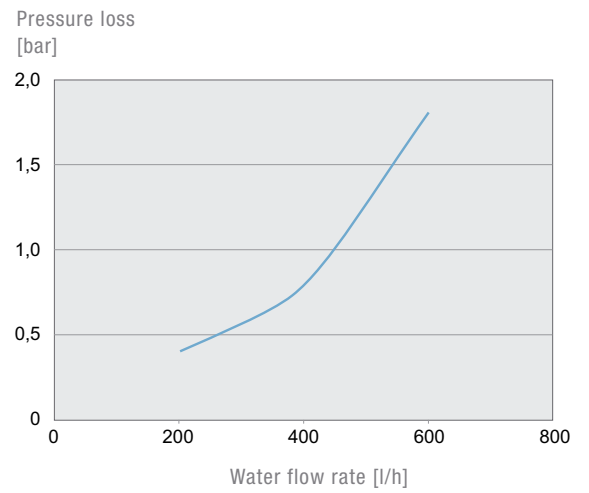
For additional models, options and voltages visit www.pfannenber.com or contact us directly.



Cooling capacity performance curves



Pressure loss performance curve



Dimensions

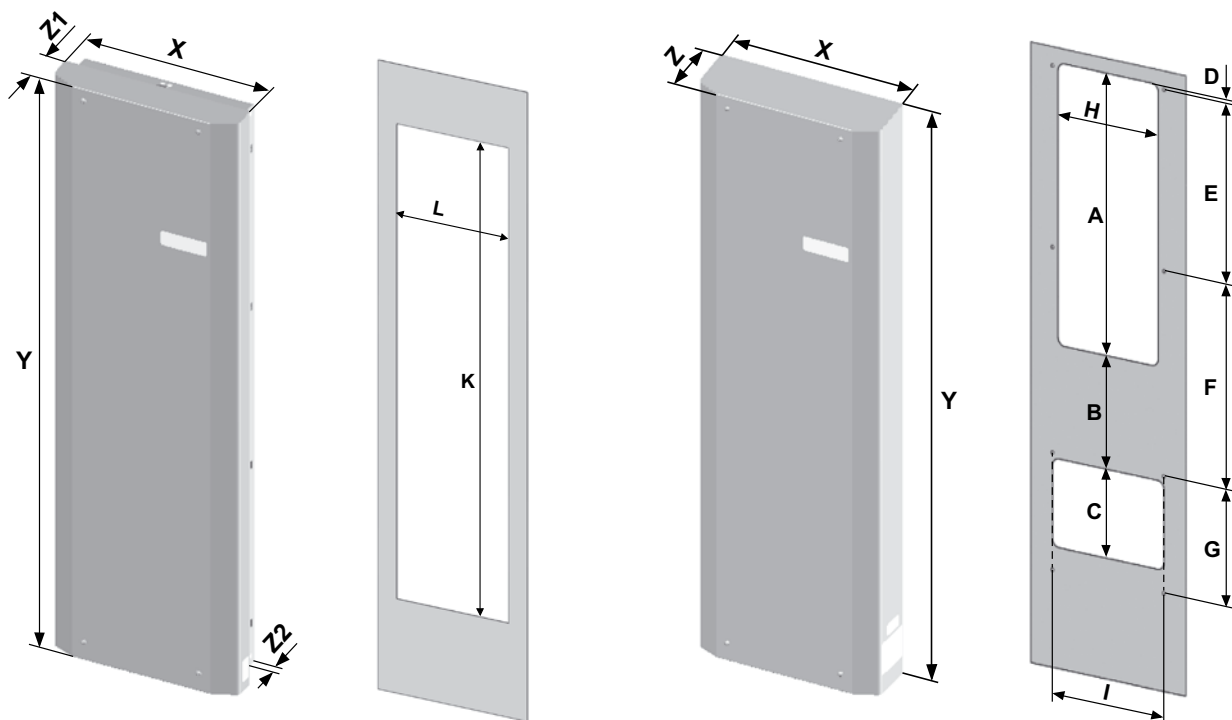
PWI	X	Y	Z1	Z2	K	L
mm	485	1549	82	60	1510	450

PWI variants partially recessed by 60 mm after installation

PWS	X	Y	Z	A	B	C	D	E	F	G	H	I
mm	485	1556	142	700	282	220	10	450	510	290	315	350

Mounting holes \varnothing 8 mm and cut-out radii R20

PWI 6302	PWS 6302
----------	----------





+44 (0)121 544 6808

| info@cnet-is.co.uk

**C-NET Industrial Solutions
Limited**

Suite 12, Sandwell Business Centre
Oldbury Road
Smethwick
B66 1NN
United Kingdom