



cnetindustrial

**PWI_PWS 6302C εCOOL
AIR_WATER HEAT
EXCHANGER 3000 W**

Pfannenberg
ELECTRO-TECHNOLOGY FOR INDUSTRY



PWI/PWS 6302C

ECOOL AIR/WATER HEAT EXCHANGER 3000 W

PWI: for partially recessed mounting in the door or side

PWS: for outer mounting on the door or side

- offers the highest degree of safety and energy efficiency
- cut-out compatible with **ECOOL** system e.g. for air/air heat exchanger and cooling units
- easy mounting with click and fit system for partially sunk-in version PWI
- maintenance-free
- integrated thermostat and solenoid valve for temperature control
- integrated temperature monitoring with alarm contact



PRODUCT	PWI 6302C			PWS 6302C			
ARTICLE NO.	12892609055	12892601055	12892604055	12882609055	12882601055	12882604055	Unit

DATA

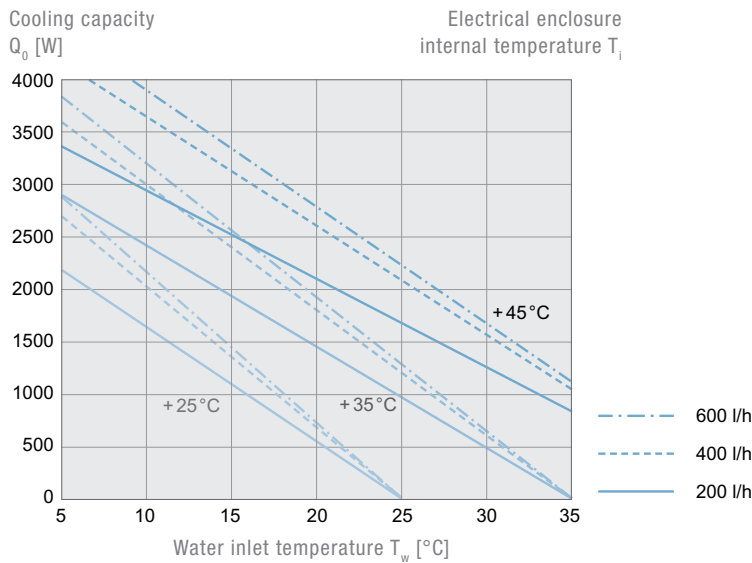
Rated voltage ±10 %		AC 50 60		AC 60	AC 50 60		AC 60	Hz
		400	230	115	400	230	115	V
Cooling capacity @ 400 l/h	W10/A35	3000						W
Power consumption	W10/A35	78 78	91 115	150	78 78	95 115	150	A
Current consumption	W10/A35	0.36 0.35	0.43 0.51	1.32	0.36 0.35	0.43 0.51	1.32	
Starting current	W10/A35	0.56 0.75		1.54	0.56 0.75		1.54	
Unimpeded airflow (free flow)	internal	945		1050	945		1050	m³/h
Pre fuse T		2						A
Type of connection	electro	spring-type terminal included with plug						
	fluid	13 mm hose nozzle other connectors on request						
Noise level according to EN ISO 3741		54						dB (A)
Weight (without packaging)		20	18	15.5	21	19	18.5	kg
Ambient temperature range		> +1 ... +70 > +34 ... +158						°C °F
Control range (adjustable)		+8 ... +50 +47 ... +122; factory setting +35 +95						
Water inlet temperature		> +1 ... +35 > +34 ... +95						
Permissible operating pressure		max. 10						bar
Duty cycle		100						%
Condensate management		condensate drain						
Protection system according to EN 60529	IP 55	towards the electrical enclosure if used as intended by the manufacturer						
Design	housing	galvanised steel electrostatically powder coated (200 °C) stainless steel on request						
	heat exchanger	copper pipe with aluminium fins stainless steel piping on request						
Colour	cover	RAL 7035 different colours available on request						

ACCESSORIES	Piece	ARTICLE NUMBER
External condensate evaporation system	1	18314000001
Condensate bottle	1	18314000100

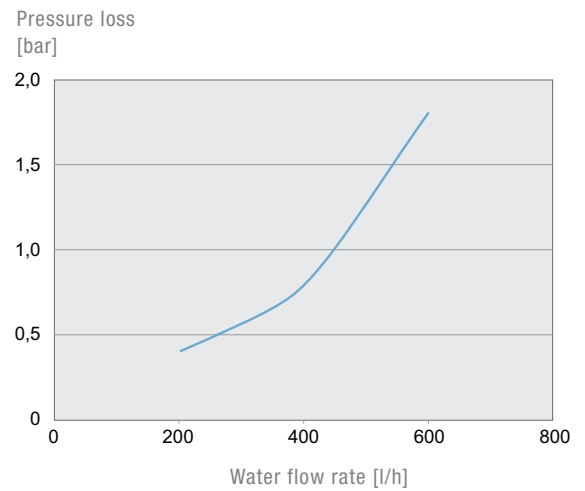
For additional models, options and voltages visit www.pfannenber.com or contact us directly.



Cooling capacity performance curves



Pressure loss performance curve



Dimensions

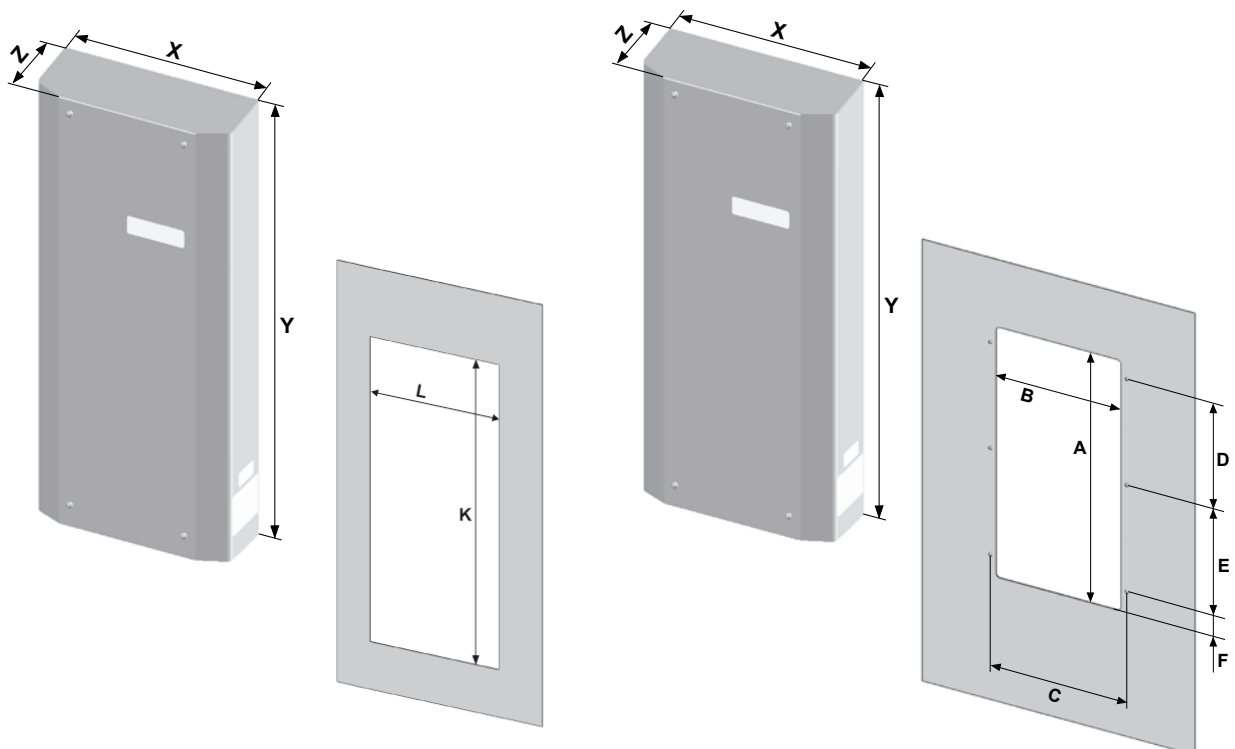
PWI	X	Y	Z1	Z2	K	L
mm	410	938	82	60	900	378

PWI variants partially recessed by 60 mm after installation

PWS	X	Y	Z	A	B	C	D	E	F
mm	410	945.5	142	662	320	350	280	282	55

Mounting holes \varnothing 8 mm and cut-out radii R10

PWI 6302C	PWS 6302C
-----------	-----------





+44 (0)121 544 6808

| info@cnet-is.co.uk

**C-NET Industrial Solutions
Limited**

Suite 12, Sandwell Business Centre
Oldbury Road
Smethwick
B66 1NN
United Kingdom