



**PWS 3082 (NEMA 3R\_4), PWS  
3082 (NEMA 4\_4X) AIR\_WATER  
HEAT EXCHANGER 900 W**

# PWS 3082 (NEMA 3R/4) | PWS 3082 (NEMA 4/4X) AIR/WATER HEAT EXCHANGER 900 W



- rugged, industrial construction with removable cover
- airflow path design to prevent water intrusion
- integrated thermostat and solenoid valve for temperature control
- cut-out compatible with DTS 3061/3081

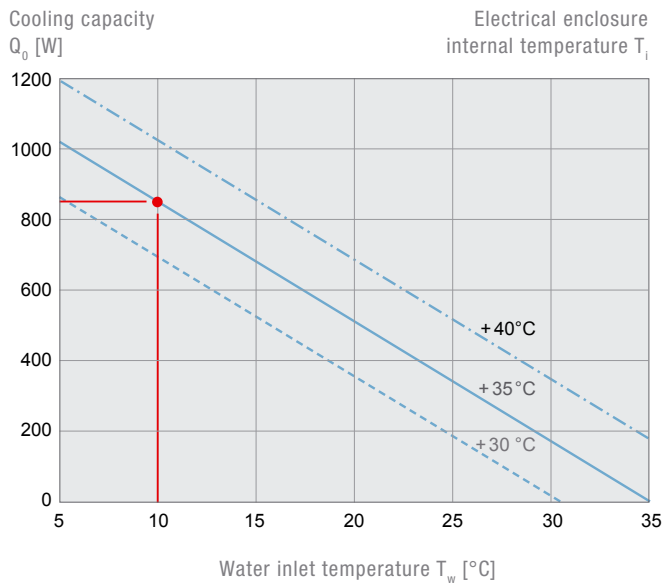
PRODUCT		PWS 3082 (NEMA 3R/4)		PWS 3082 (NEMA 4/4X)		
ARTICLE NO.		12358120045	12358110045	12358120048	12358110048	Unit
<b>DATA</b>						
Rated voltage ±10 %		AC 50   60 230	AC 60 115	AC 50   60 230	AC 60 115	Hz V
Cooling capacity @ 450 l/h	W10/A35	900				W
Power consumption	W10/A35	18.4	21.3	18.4	21.3	
Current consumption	W10/A35	0.126	0.235	0.126	0.235	A
Starting current	W10/A35	0.16	0.39	0.16	0.39	
Unimpeded airflow (free flow)	internal	213				m³/h
Pre fuse T		0.5				A
Type of connection	electro	internal spring-type terminal				
	fluid	1/2" push in fitting				
Noise level according to EN ISO 3741		< 51				dB (A)
Weight (without packaging)		10				kg
Ambient temperature range		+2 ... +65   +36 ... +149				
Control range (adjustable)		+10 ... +40   +50 ... +104; factory setting +35   +95				°C   °F
Water inlet temperature		+2 ... +35   > +36 ... +95				
Permissible operating pressure		max. 10				bar
Duty cycle		100				%
Condensate management		condensate drain				
Protection system according to EN 60529	12/3R/4	towards the electrical enclosure if used as intended by the manufacturer		-		
	3R/4/4X	-		towards the electrical enclosure if used as intended by the manufacturer		
Design	housing	galv. steel   electrostatically powder coated (200 °C)		304 rust proof stainless steel		
	heat exchanger	copper pipe with aluminium fins				
Colour	cover	RAL 7035   different colours available on request		-		

ACCESSORIES	Piece	ARTICLE NUMBER
External condensate evaporation system	1	18314000001
Condensate bottle	1	18314000100

For additional models, options and voltages visit [www.pfannenbergl.com](http://www.pfannenbergl.com) or contact us directly.



### Cooling capacity performance curves

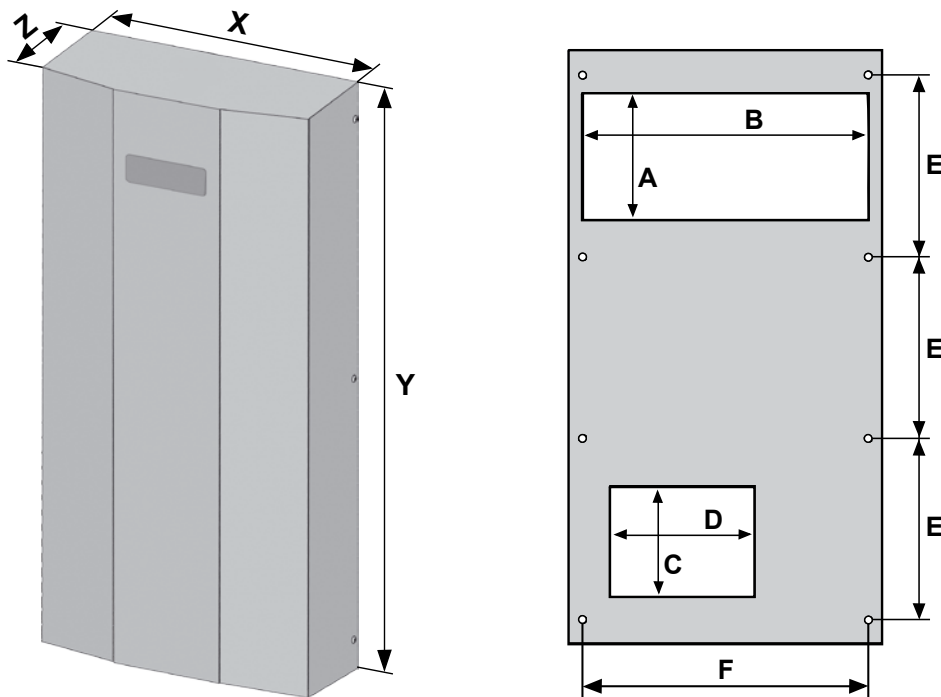


### Dimensions

	X	Y	Z	A	B	C	D	E	F
mm	257	613	143	130	225	90	120	186	211.9

Mounting holes  $\varnothing$  8 mm

### PWS 3082





+44 (0)121 544 6808

| [info@cnet-is.co.uk](mailto:info@cnet-is.co.uk)

**C-NET Industrial Solutions  
Limited**

Suite 12, Sandwell Business Centre  
Oldbury Road  
Smethwick  
B66 1NN  
United Kingdom