



**PWS 7332, PWS 7152
AIR_WATER HEAT
EXCHANGER 3150 W 1500 W**

PWS 7332 | PWS 7152

AIR/WATER HEAT EXCHANGER 3150 W | 1500 W

- two performance classes, cut-out compatible
- completely installable or mountable externally and internally
- maintenance-free
- mounting-friendly seal, no elaborate reworking of the mounting cut-out
- integrated thermostat and solenoid valve for temperature control
- integrated temperature monitoring with alarm contact



PRODUCT	PWS 7332		PWS 7152		
ARTICLE NO.	12053010055	12053017055	12051510055	12051517055	Unit

DATA

Rated voltage ±10 %		AC 50 60 230	AC 60 115	AC 50 60 230	AC 60 115	Hz V
Cooling capacity @ 200 l/h	W10/A35	3150		1500		W
Power consumption	W10/A35	295 385	453	125 182	186	A
Current consumption	W10/A35	1.3 1.7	4.1	0.55 0.75	1.5	
Starting current	W10/A35	5.8 6.6	8.62	2 2	3.9	
Unimpeded airflow (free flow)	internal	1670		850		m³/h
Pre fuse T		6	16	4	6	A
Type of connection	electro	spring-type terminal included with plug				
	fluid	13 mm hose nozzle; other connectors on request				
Noise level according to EN ISO 3741		54		53		dB (A)
Weight (without packaging)		23		21		kg
Ambient temperature range		+1 ... +70 +34 ... +158				°C °F
Control range (adjustable)		+8 ... +50 +47 ... +122; factory setting +35 +95				
Water inlet temperature		+1 ... +35 +34 ... +95				
Permissible operating pressure		max. 10				bar
Duty cycle		100				%
Condensate management		condensate drain				
Protection system according to EN 60529	IP 55	towards the electrical enclosure if used as intended by the manufacturer				
	IP 65	on request				
Design	housing	galvanised steel electrostatically powder coated (200 °C) stainless steel on request				
	heat exchanger	copper pipe with aluminium fins stainless steel piping on request				
Colour	cover	RAL 7035 different colours available on request				

ACCESSORIES	Piece	ARTICLE NUMBER
External condensate evaporation system	1	18314000001
Condensate bottle	1	18314000100

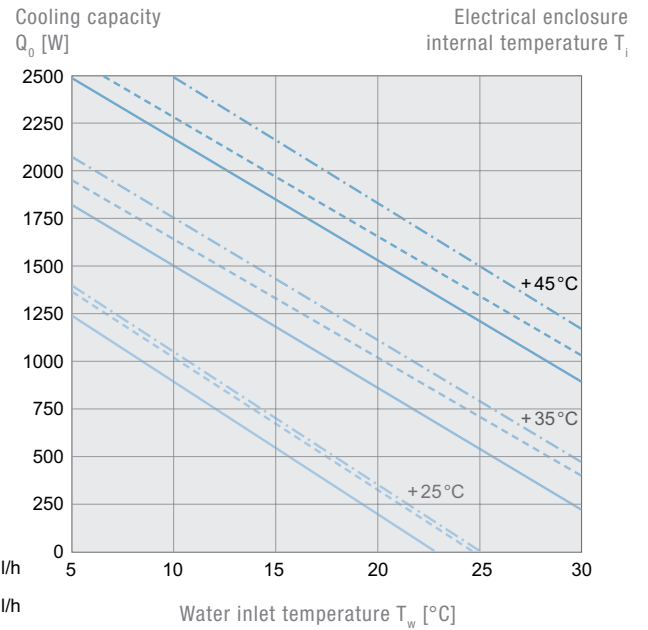
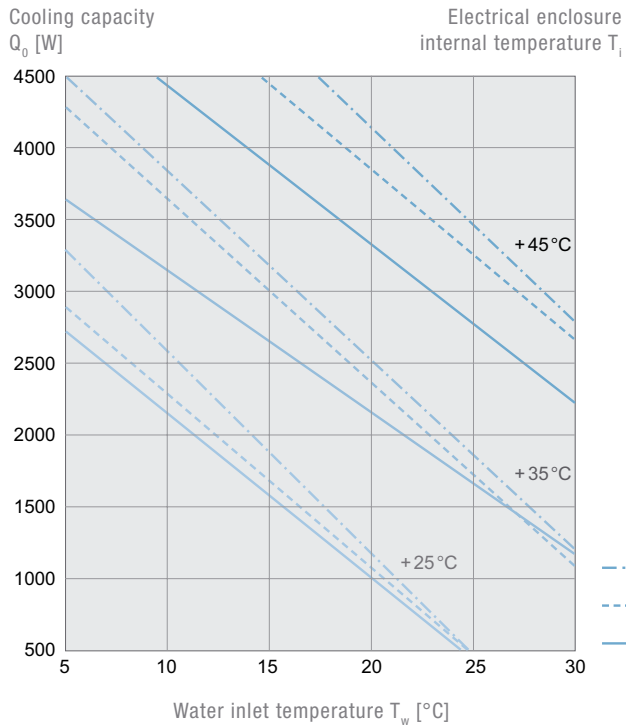
For additional models, options and voltages visit www.pfannenber.com or contact us directly.



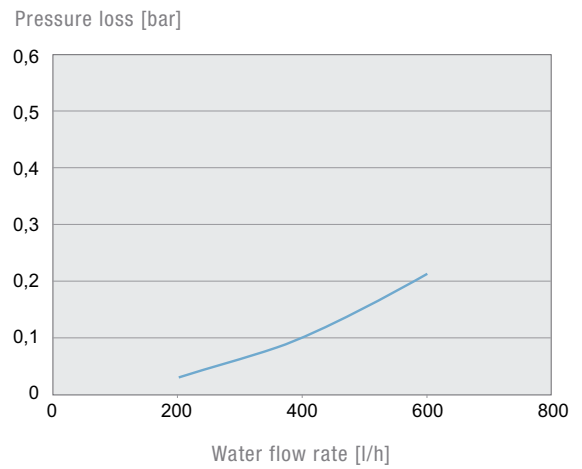
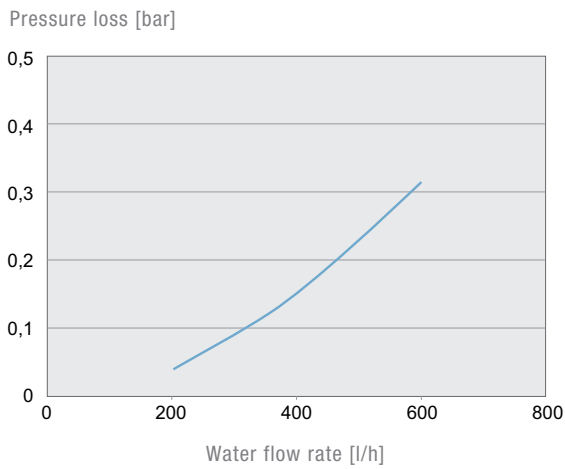
PWS 7332

PWS 7152

Cooling capacity performance curves



Pressure loss performance curve



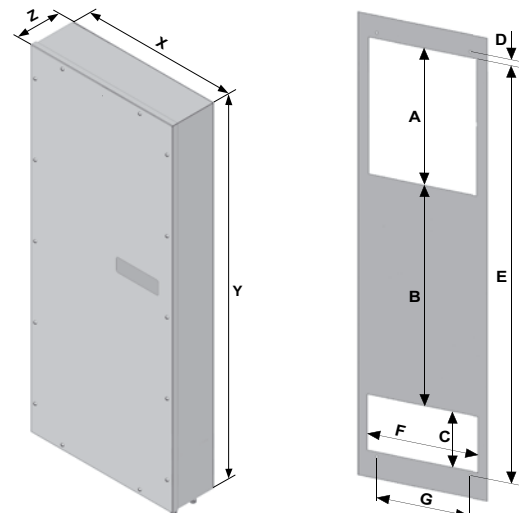
Dimensions

	X	Y	Z	A	B
mm	400	950	190 115	280	463
	C	D	E	F	G
mm	112	37	904	340	280

Mounting holes \varnothing 8 mm

PWS 7332

PWS 7152





+44 (0)121 544 6808

| info@cnet-is.co.uk

**C-NET Industrial Solutions
Limited**

Suite 12, Sandwell Business Centre
Oldbury Road
Smethwick
B66 1NN
United Kingdom