



**cnetindustrial**

**PWS 7502 AIR\_WATER HEAT  
EXCHANGER 5200 W**

**Pfannenberg**  
ELECTRO-TECHNOLOGY FOR INDUSTRY



# PWS 7502

## AIR/WATER HEAT EXCHANGER 5200 W

- maintenance-free
- mounting-friendly seal, no elaborate reworking of the mounting cut-out
- integrated thermostat and solenoid valve for temperature control
- integrated temperature monitoring with alarm contact

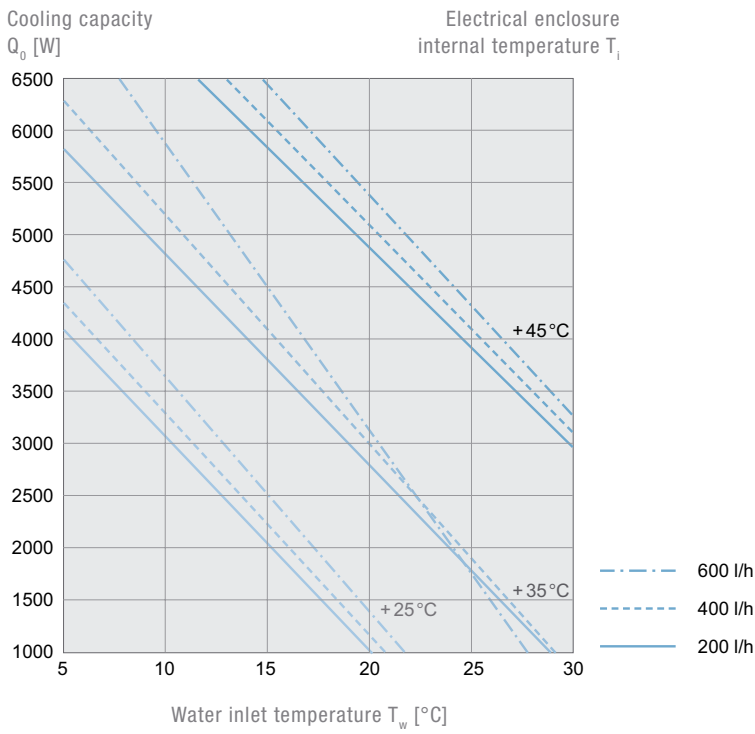


PRODUCT		PWS 7502		
ARTICLE NO.		12055010055	12055017055	Unit
<b>DATA</b>				
Rated voltage ±10 %		AC 50   60	AC 60	Hz
		230	115	V
Cooling capacity @ 400 l/h	W10/A35	5200		W
Power consumption	W10/A35	295   385	384	A
Current consumption	W10/A35	1.3   1.7	3.45	
Starting current	W10/A35	5.8   6.6	8.33	
Unimpeded airflow (free flow)	internal	1670		m³/h
Pre fuse T		6		A
Type of connection	electro	spring-type terminal included with plug		
	fluid	13 mm hose nozzle; other connectors on request		
Noise level according to EN ISO 3741		57		dB (A)
Weight (without packaging)		39		kg
Ambient temperature range		+1 ... +70   +34 ... +158		°C   °F
Control range (adjustable)		+8 ... +50   +47 ... +122; factory setting +35   +95		
Water inlet temperature		+1 ... +35   +34 ... +95		
Permissible operating pressure		max. 10		bar
Duty cycle		100		%
Condensate management		condensate drain		
Protection system according to EN 60529	IP 55	towards the electrical enclosure if used as intended by the manufacturer		
	IP 65	on request		
Design	housing	galvanised steel   electrostatically powder coated (200 °C)   stainless steel on request		
	heat exchanger	copper pipe with aluminium fins   stainless steel piping on request		
Colour	cover	RAL 7035   different colours available on request		
ACCESSORIES		Piece	ARTICLE NUMBER	
External condensate evaporation system		1	18314000001	
Condensate bottle		1	18314000100	

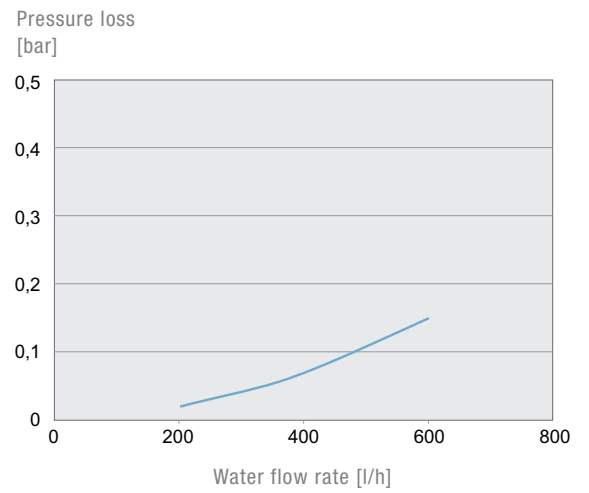
For additional models, options and voltages visit [www.pfannenber.com](http://www.pfannenber.com) or contact us directly.



### Cooling capacity performance curves



### Pressure loss performance curve

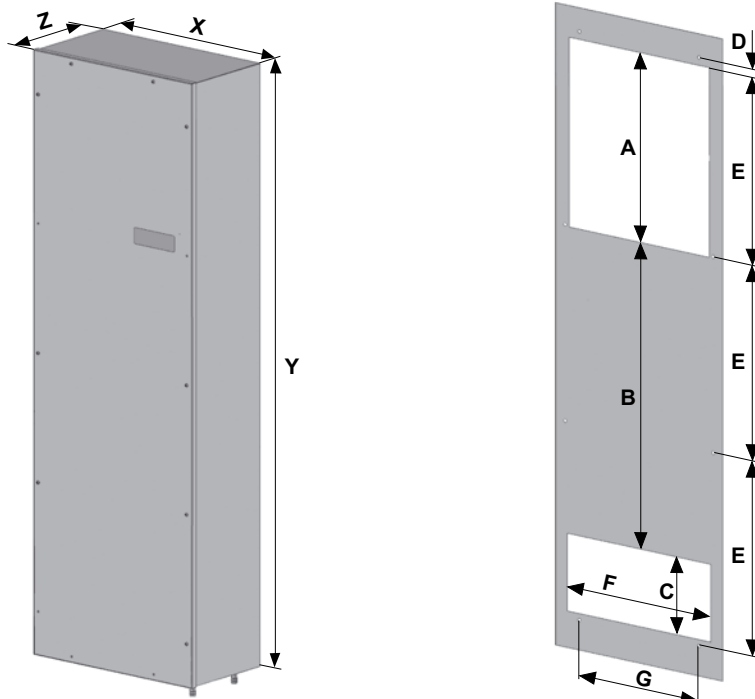


### Dimensions

	X	Y	Z	A	B	C	D	E	F	G
mm	460	1400	239	440	711.5	180	20	455	420	350

Mounting holes  $\varnothing$  8 mm

### PWS 7502





+44 (0)121 544 6808

| [info@cnet-is.co.uk](mailto:info@cnet-is.co.uk)

**C-NET Industrial Solutions  
Limited**

Suite 12, Sandwell Business Centre  
Oldbury Road  
Smethwick  
B66 1NN  
United Kingdom