



cnetindustrial

**PWS 7702, PWS 7702 SL
AIR_WATER HEAT
EXCHANGER 7000 W**

Pfannenber
ELECTRO-TECHNOLOGY FOR INDUSTRY



PWS 7702 | PWS 7702 SL

AIR/WATER HEAT EXCHANGER 7000 W

- maintenance-free
- mounting-friendly seal, no elaborate reworking of the mounting cut-out
- integrated thermostat and solenoid valve for temperature control
- integrated temperature monitoring with alarm contact



PRODUCT	PWS 7702		PWS 7702 SL		
ARTICLE NO.	12057702055	12057710055	12057702155	12057710155	Unit

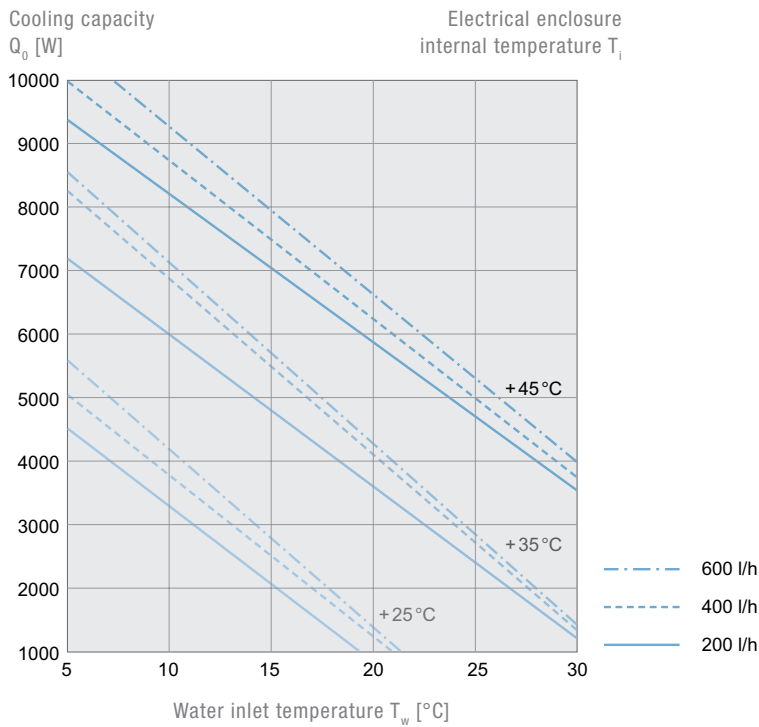
DATA						
Rated voltage ±10 %		AC 50 60				Hz
		400 3~	230	400 3~	230	V
Cooling capacity @ 500 l/h	W10/A35	7000				W
Power consumption	W10/A35	550 790	520 680	550 790	520 680	
Current consumption	W10/A35	0.8 0.95	2.4 3.2	0.8 0.95	2.4 3.2	A
Starting current	W10/A35	3 3.8	9.2 12	3 3.8	9.2 12	
Unimpeded airflow (free flow)	internal	3630	4600	3630	4600	m³/h
Pre fuse T	10				A	
Type of connection	electro	spring-type terminal included with plug				
	fluid	13 mm hose nozzle; other connectors on request				
Noise level according to EN ISO 3741	63				dB (A)	
Weight (without packaging)	58		57		kg	
Ambient temperature range	+1 ... +70 +34 ... +158					
Control range (adjustable)	+8 ... +50 +47 ... +122; factory setting +35 +95				°C °F	
Water inlet temperature	+1 ... +35 +34 ... +95					
Permissible operating pressure	max. 10				bar	
Duty cycle	100				%	
Condensate management	condensate drain					
Protection system according to EN 60529	IP 55	towards the electrical enclosure if used as intended by the manufacturer				
	IP 65	on request				
Design	housing	galvanised steel electrostatically powder coated (200 °C) stainless steel on request				
	heat exchanger	copper pipe with aluminium fins stainless steel piping on request				
Colour	cover	RAL 7035 different colours available on request				

ACCESSORIES	Piece	ARTICLE NUMBER
External condensate evaporation system	1	18314000001
Condensate bottle	1	18314000100

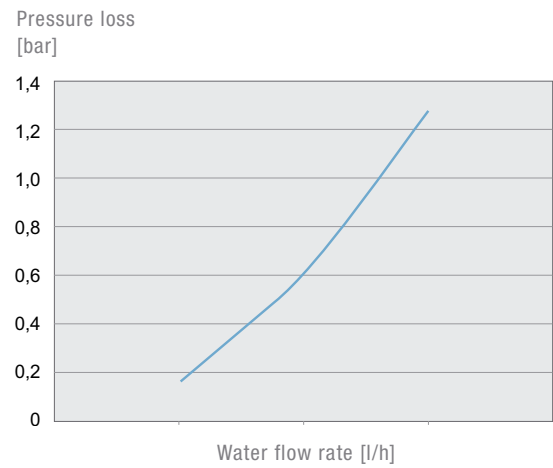
For additional models, options and voltages visit www.pfannenber.com or contact us directly.



Cooling capacity performance curves



Pressure loss performance curve

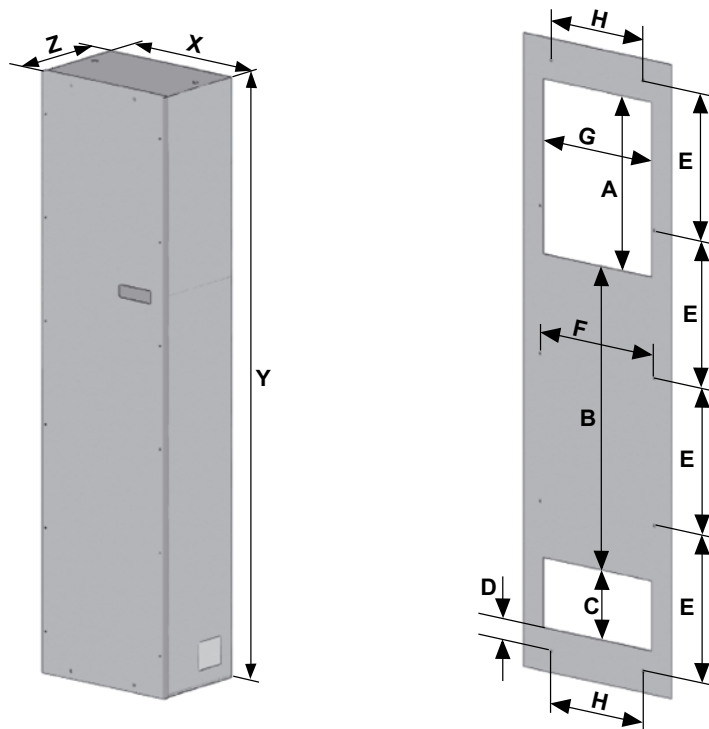


Dimensions

PWS	X	Y	Z	A	B	C	D	E	F	G	H
mm	460	1800	310	525	910	210	65	442.5	433.5	410	350
PWS SL	X	Y	Z	A	B	C	D	E	F	G	H
mm	460	1800	255								

Mounting holes \varnothing 8 mm

PWS 7702 | PWS 7702 SL





+44 (0)121 544 6808

| info@cnet-is.co.uk

**C-NET Industrial Solutions
Limited**

Suite 12, Sandwell Business Centre
Oldbury Road
Smethwick
B66 1NN
United Kingdom