



**PWS 31002 (NEMA 3R_4), PWS
31002 (NEMA 4_4X)
AIR_WATER HEAT
EXCHANGER 10000 W**

PWS 31002 (NEMA 3R/4) | PWS 31002 (NEMA 4/4X) AIR/WATER HEAT EXCHANGER 10000 W



- rugged, industrial construction with removable cover
- airflow path design to prevent water intrusion
- integrated thermostat and solenoid valve for temperature control
- cut-out compatible with DTS 3661/3681

PRODUCT	PWS 31002 (NEMA 3R/4)		PWS 31002 (NEMA 4/4X)		
ARTICLE NO.	12358730045	12358720045	12358730048	12358720048	Unit

DATA

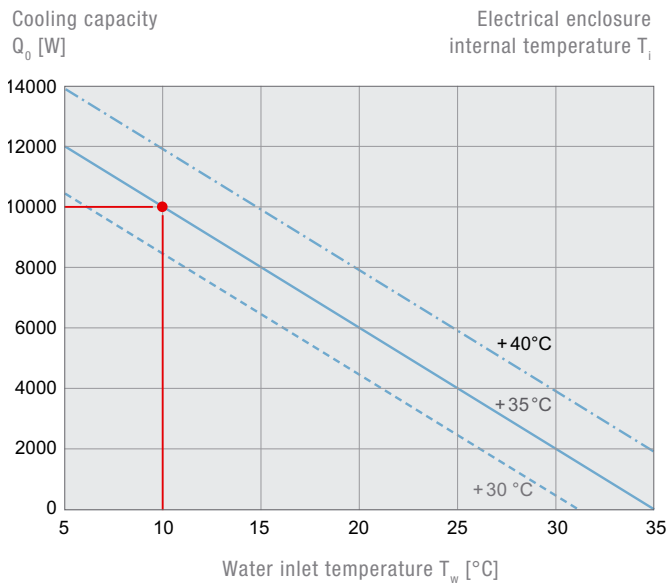
Rated voltage ±10 %		AC 50 60				Hz
		460	230	460	230	V
Cooling capacity @ 1135 l/h	W10/A35	10000				W
Power consumption	W10/A35	345	163	345	163	
Current consumption	W10/A35	0.75	0.71	0.75	0.71	A
Starting current	W10/A35	1.459	0.99	1.459	0.99	
Unimpeded airflow (free flow)	internal	2005				m³/h
Pre fuse T		1				A
Type of connection	electro	internal spring-type terminal				
	fluid	1/2" push in fitting				
Noise level according to EN ISO 3741		< 66				dB (A)
Weight (without packaging)		57				kg
Ambient temperature range		+2 ... +65 +36 ... +149				
Control range (adjustable)		+10 ... +40 +50 ... +104; factory setting +35 +95				°C °F
Water inlet temperature		+2 ... +35 > +34 ... +95				
Permissible operating pressure		max. 10				bar
Duty cycle		100				%
Condensate management		condensate drain				
Protection system according to EN 60529	12/3R/4	towards the electrical enclosure if used as intended by the manufacturer		-		
	3R/4/4X	-		towards the electrical enclosure if used as intended by the manufacturer		
Design	housing	galv. steel electrostatically powder coated (200 °C)		304 rust proof stainless steel		
	heat exchanger	copper pipe with aluminium fins				
Colour	cover	RAL 7035 different colours available on request		-		

ACCESSORIES	Piece	ARTICLE NUMBER
External condensate evaporation system	1	18314000001
Condensate bottle	1	18314000100

For additional models, options and voltages visit www.pfannenber.com or contact us directly.



Cooling capacity performance curves

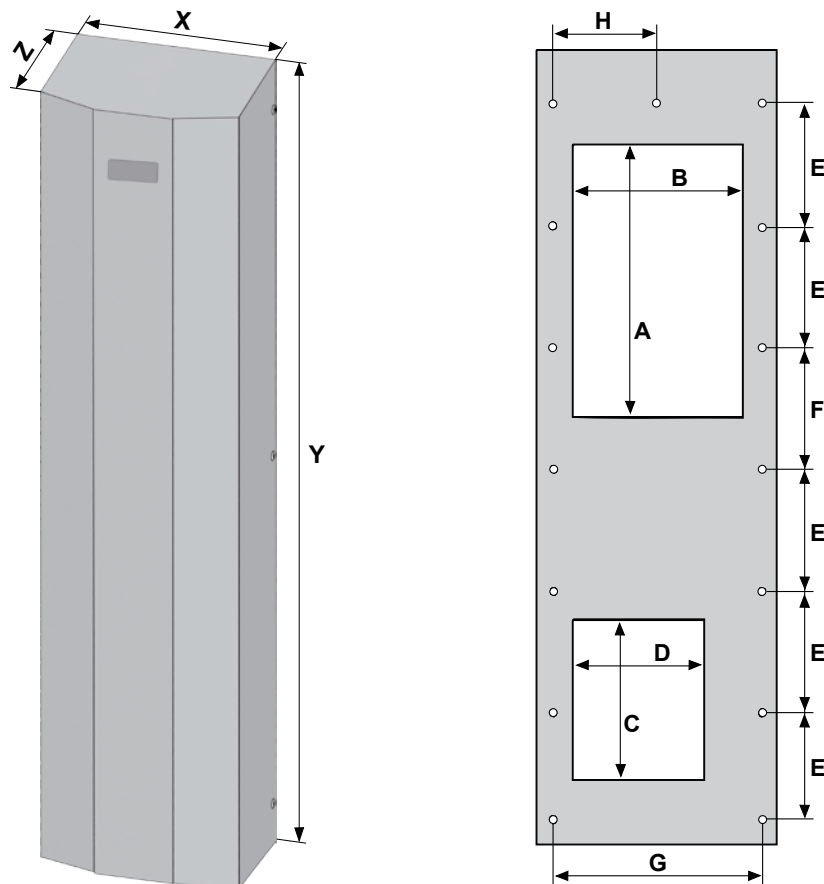


Dimensions

	X	Y	Z	A	B	C	D	E	F	G	H
mm	501	1664	307	635	350	285	260	240	350	420	210

Mounting holes \varnothing 8 mm

PWS 31002





+44 (0)121 544 6808

| info@cnet-is.co.uk

**C-NET Industrial Solutions
Limited**

Suite 12, Sandwell Business Centre
Oldbury Road
Smethwick
B66 1NN
United Kingdom