



**cnetindustrial**

**PAI\_PAS 6073, PAI\_PAS 6103  
PAI\_PAS 6133 εCOOL AIR\_AIR  
HEAT EXCHANGER 35 & 50 &  
65 W\_K**

# PAI/PAS 6073 | PAI/PAS 6103 | PAI/PAS 6133

## ECOOL AIR/AIR HEAT EXCHANGER 35 | 50 | 65 W/K

**PAI:** for partially recessed mounting in the door or side

**PAS:** for outer mounting on the door or side

- cut-out compatible with DTI/DTS 9341C and DTI/DTS 9141
- mounting-friendly seal, no elaborate reworking of the mounting cut-out
- integrated thermostat for temperature control
- additional thermostat for excessive temperature warning
- maintenance-free
- large distance between intake and exhaust vents, safe circulation within the electrical enclosure due to long passage of air, therefore hot spots are eliminated



PRODUCT		PAI/PAS 6073		PAI/PAS 6103		PAI/PAS 6133		Unit
ARTICLE NO.	PAI	12992211055	12992214055	12992311055	12992314055	12992411055	12992414055	
ARTICLE NO.	PAS	12982211055	12982214055	12982311055	12982314055	12982411055	12982414055	

DATA								
Rated voltage ±10 %		AC 50   60	AC 60	AC 50   60	AC 60	AC 50   60	AC 60	Hz
		230	115	230	115	230	115	V
Specific cooling capacity		35		50		65		W/K
Power consumption		170   180	260	170   180	260	310   420	420	
Current consumption		0.8   1	2.45	0.8   1	2.45	1.3   1.8	3.6	A
Starting current		1.9   1.8	5.1	1.9   1.8	5.1	3.6   3.7	8.2	
Unimpeded airflow (free flow)	internal	850   900	1070	850   900	1070	1175   1300	1340	m³/h
	external	850   900	1070	850   900	1070	1175   1300	1340	
Pre fuse T		2	4	2	4	4	8	A
Type of connection		spring-type terminal included with plug						
Noise level according to EN ISO 3741		< 64	< 68	< 64	< 68	< 70	< 71	dB (A)
Weight (without packaging)	PAI	23.9						kg
	PAS	24.9						
Ambient temperature range		-25 ... +55   -13 ... +131						
Control rang (adjustable)	control thermost.	+20 ... +55   +68 ... +131; factory setting +35   +95						°C   °F
	alarm thermost.	+30 ... +65   +86 ... +149; factory setting +45   +113						
Duty cycle		100						%
Protection system according to EN 60529	IP 54	towards the electrical enclosure if used as intended by the manufacturer						
	IP 34	towards the surroundings if used as intended by the manufacturer						
Design	housing	galvanised steel						
	cover	galvanised   electrostatically powder coated (200 °C)						
Colour	cover	RAL 7035   different colours available on request						

ACCESSORIES	Piece	ARTICLE NUMBER
Filter adapter (RAL 7035)	1	18060200001
Vlies filter	5	18061600001

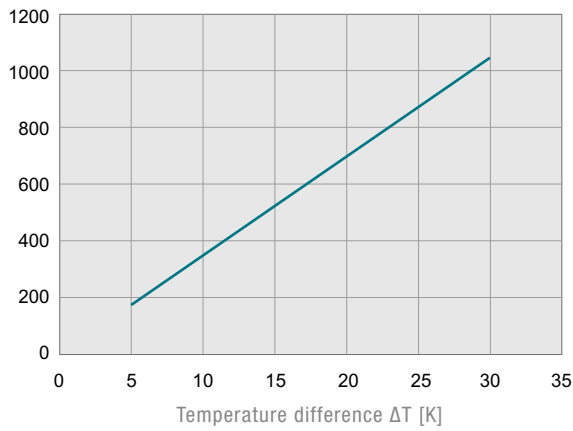
For additional models, options and voltages visit [www.pfannenber.com](http://www.pfannenber.com) or contact us directly.



**Cooling capacity performance curves**

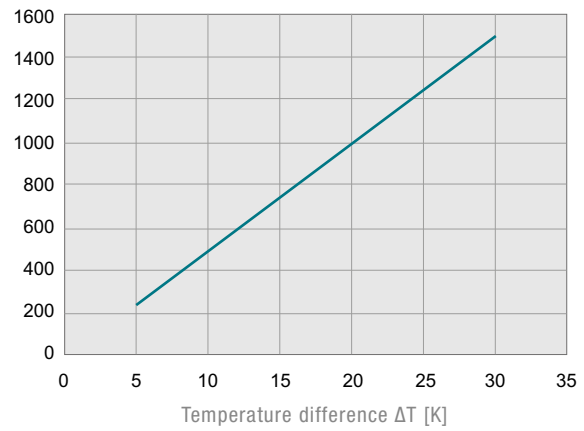
**PAI/PAS 6073**

Cooling capacity  $Q_0$  [W]



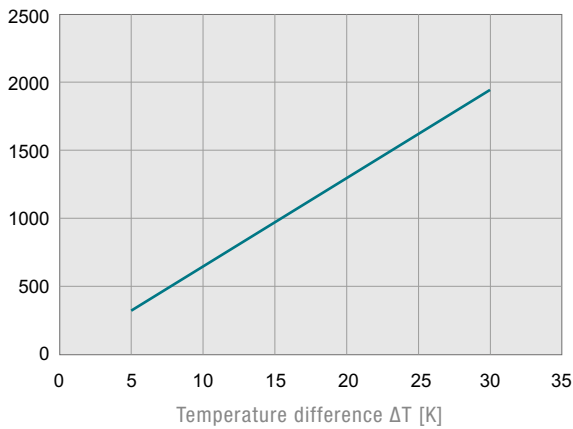
**PAI/PAS 6103**

Cooling capacity  $Q_0$  [W]



**PAI/PAS 6133**

Cooling capacity  $Q_0$  [W]



**Dimensions**

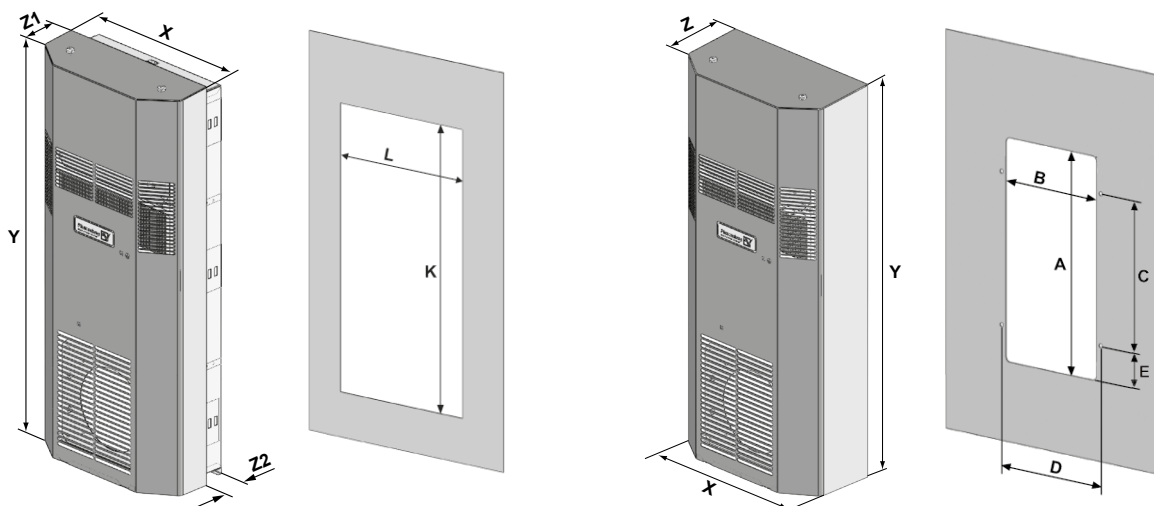
PAI	X	Y	Z1	Z2	K	L
mm	410	933	199	63	900	380

PAI variants partially recessed by 60 mm after installation

PAS	X	Y	Z	A	B	C	D	E
mm	410	937	199	662	320	562	350	55

Mounting holes  $\varnothing$  8 mm and cut-out radii R20

**PAI 6073 | 6103 | 6133**      **PAS 6073 | 6103 | 6133**





+44 (0)121 544 6808

| [info@cnet-is.co.uk](mailto:info@cnet-is.co.uk)

**C-NET Industrial Solutions  
Limited**

Suite 12, Sandwell Business Centre  
Oldbury Road  
Smethwick  
B66 1NN  
United Kingdom